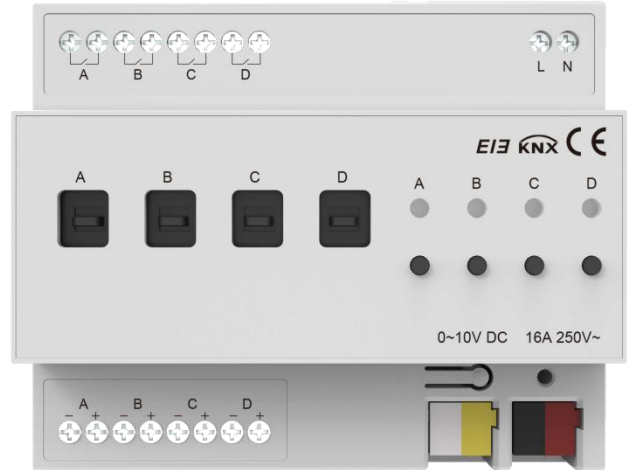


## Product Introduction

This KNX 4-gang 0-10V dimming actuator is designed for high-end smart homes and commercial lighting systems. It uses advanced KNX bus communication technology for stable and reliable remote control and data transmission, delivering smooth, flicker-free brightness adjustment.

## Features

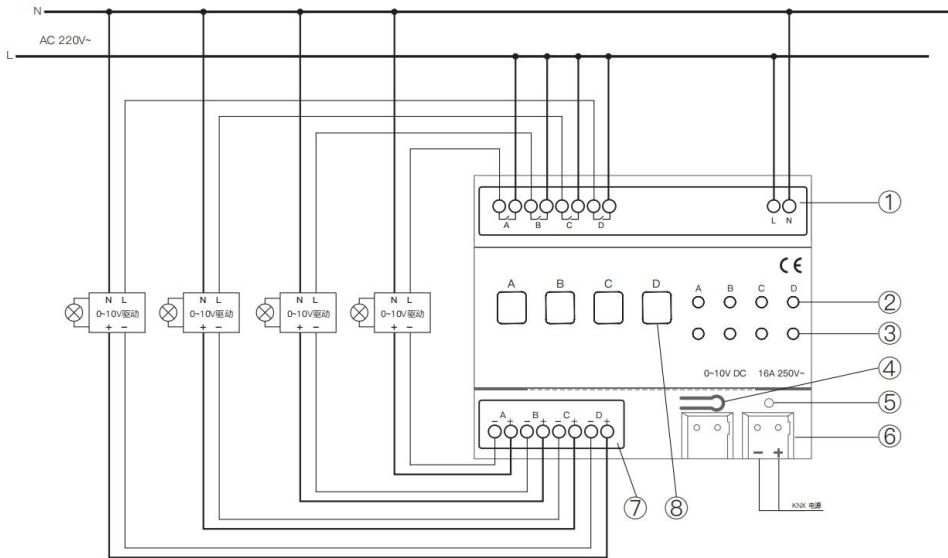
- 4 independent 0-10V dimming channels
- Smooth, flicker-free brightness adjustment
- Local manual control for on/off and dimming
- Available dimming modes: switch, relative, and absolute
- Staircase lighting function



## Specification

- Product Model: KXAC-B1DV4
- Communication Method: KNX
- Input Voltage: 21 ~ 30VDC (Bus)  
110~ 250VAC (L N, for Dimming)
- Bus Current : <12mA
- Bus Consumption: <360mW
- Dimming Channel: 4
- Output Voltage: 0 ~ 10VDC  
(Max.100mA/Gang)
- Output Contact Switch Current: Max 16A (250VAC)  
Maximum allowable working current with fluorescent lamp load: 10A (250VAC)
- Working Temperature: -5 ~ 45 °C
- Working Humidity: 0 ~ 93%RH (non-condensing)
- Connection:  
EIB / KNX: Bus Connection Terminals(diameter 0.8mm)  
Load Output Connection Terminals: Screw Terminals  
(Cable Cross Section:Single Core 1—6.0mm<sup>2</sup>、 Multi-Core 1—4.0mm<sup>2</sup>、  
Torque: Max 0.6Nm)
- Product Dimensions: 108×90×64mm
- Installation: 35mm DIN rail

## Wiring Diagram



### Description:

- ① L/N channel terminal block
- ② Channel indicator light
- ③ Channel button
- ④ Programming button
- ⑤ Programming indicator light
- ⑥ KNX/EIB connection terminal
- ⑦ 0~10V terminal block
- ⑧ Relay manual switch

## Product Dimension Diagram (mm)

