

**Applicable Model**

E18

**Drawing Title**

Intercom Panel

**Drawing Unit**

mm

**Drawing Scale**

Not to scale

**DRAFT  
SUBJECT TO  
CHANGE**

**Last Revised**

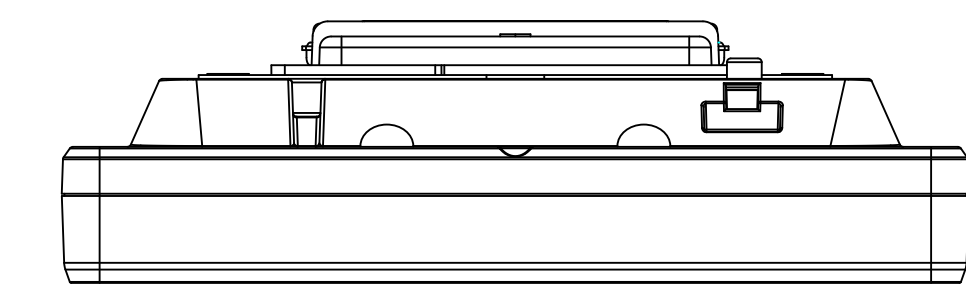
Oct 14 ,2021

**Drawing Version**

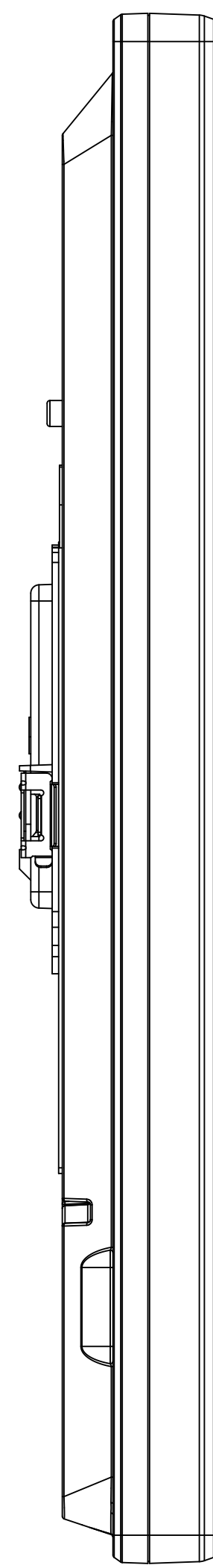
V1.0

**Page**

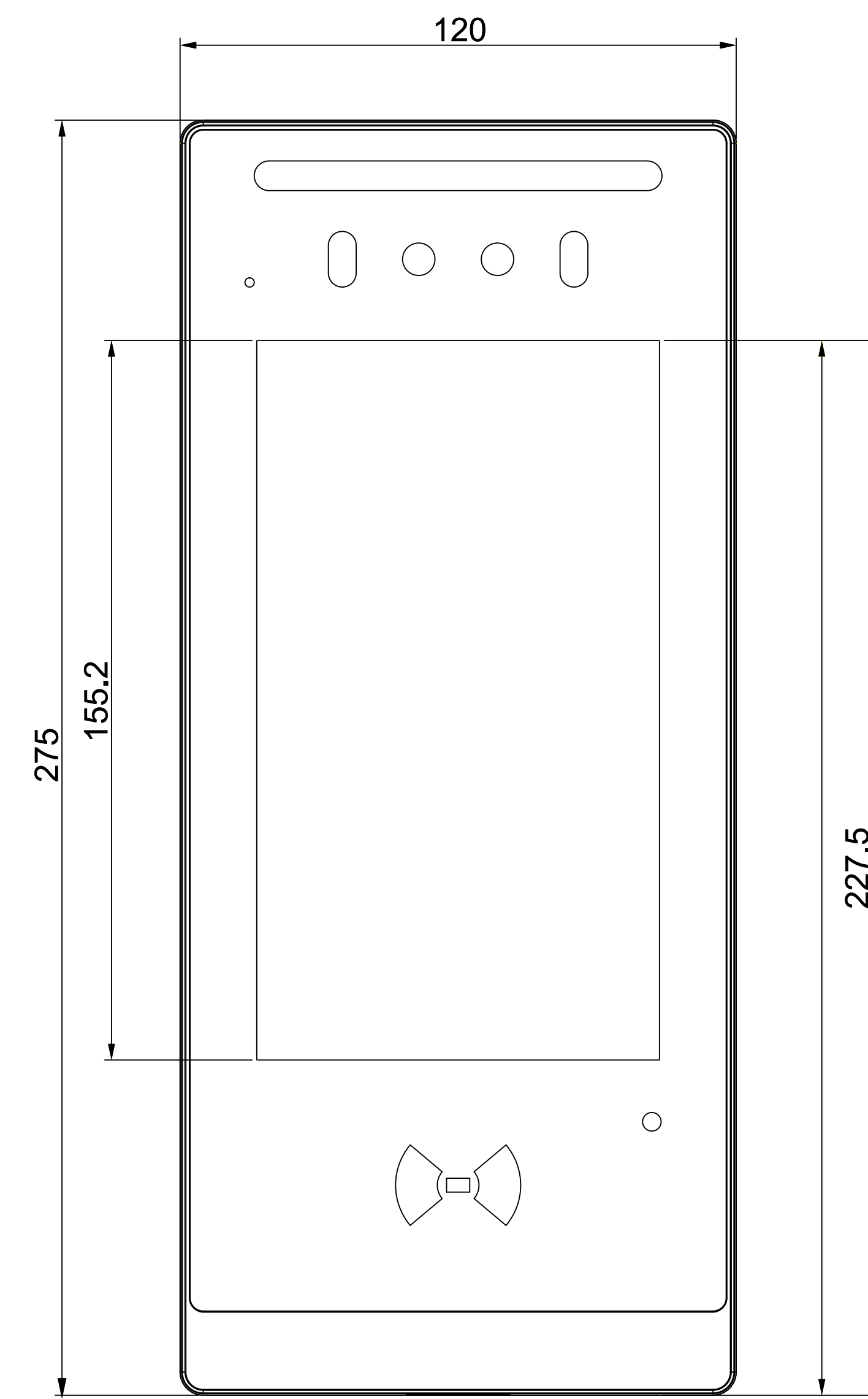
1 of 3



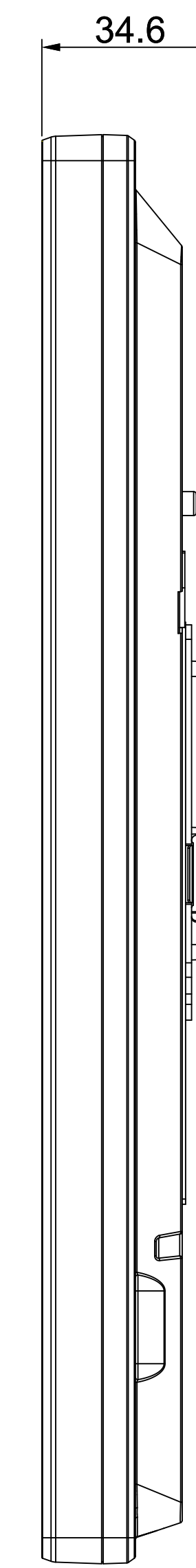
5 TOP VIEW



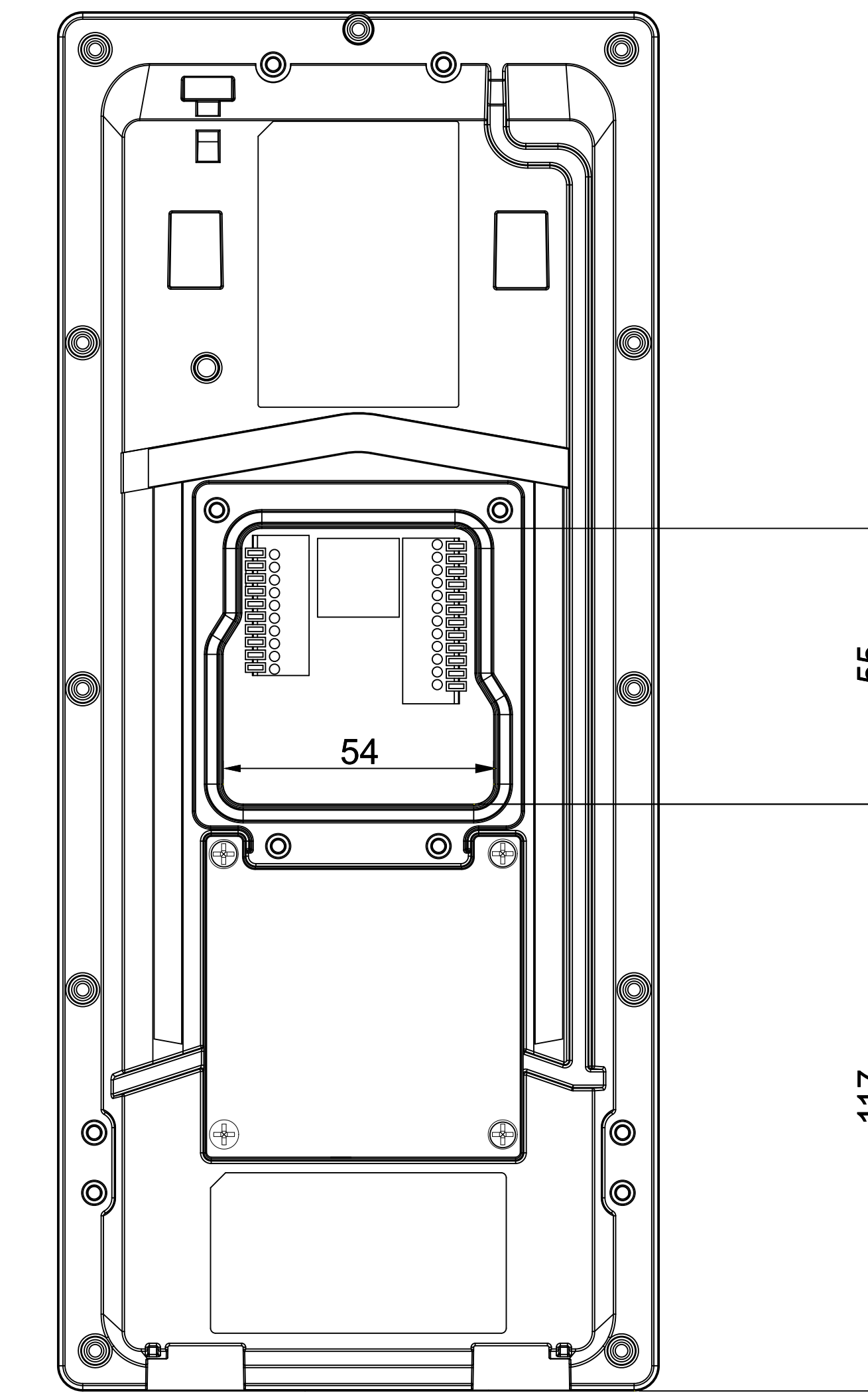
2 RIGHT VIEW



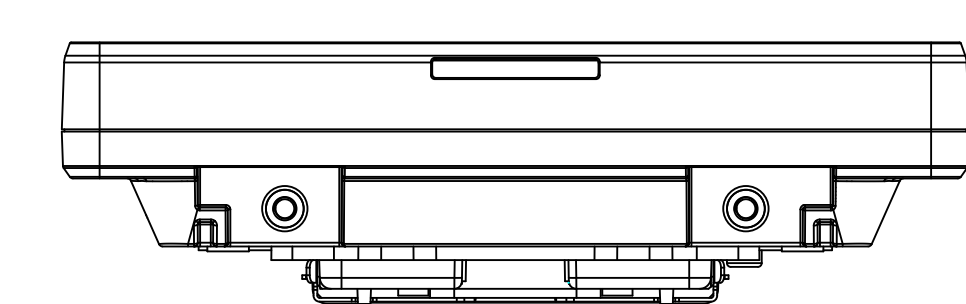
1 FRONT VIEW



3 LEFT VIEW



4 BACK VIEW



6 BOTTOM VIEW

**Applicable Model**

E18

**Drawing Title**

Wall Mounting Bracket

**Drawing Unit**

mm

**Drawing Scale**

Not to scale

**DRAFT  
SUBJECT TO  
CHANGE**

**Last Revised**

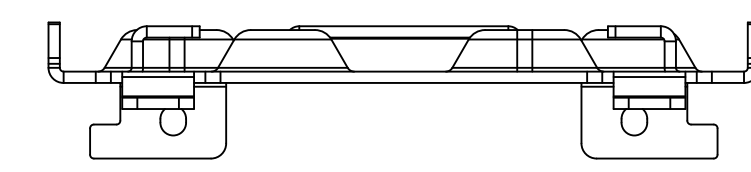
Oct 14,2021

**Drawing Version**

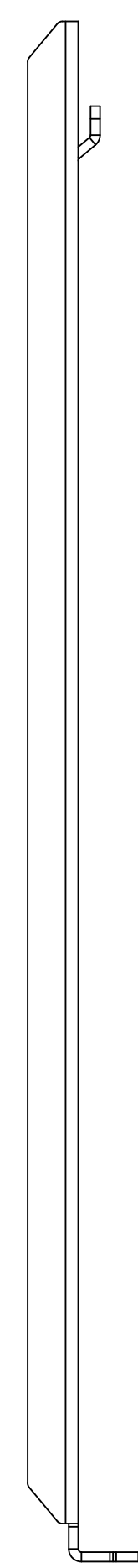
V1.0

**Page**

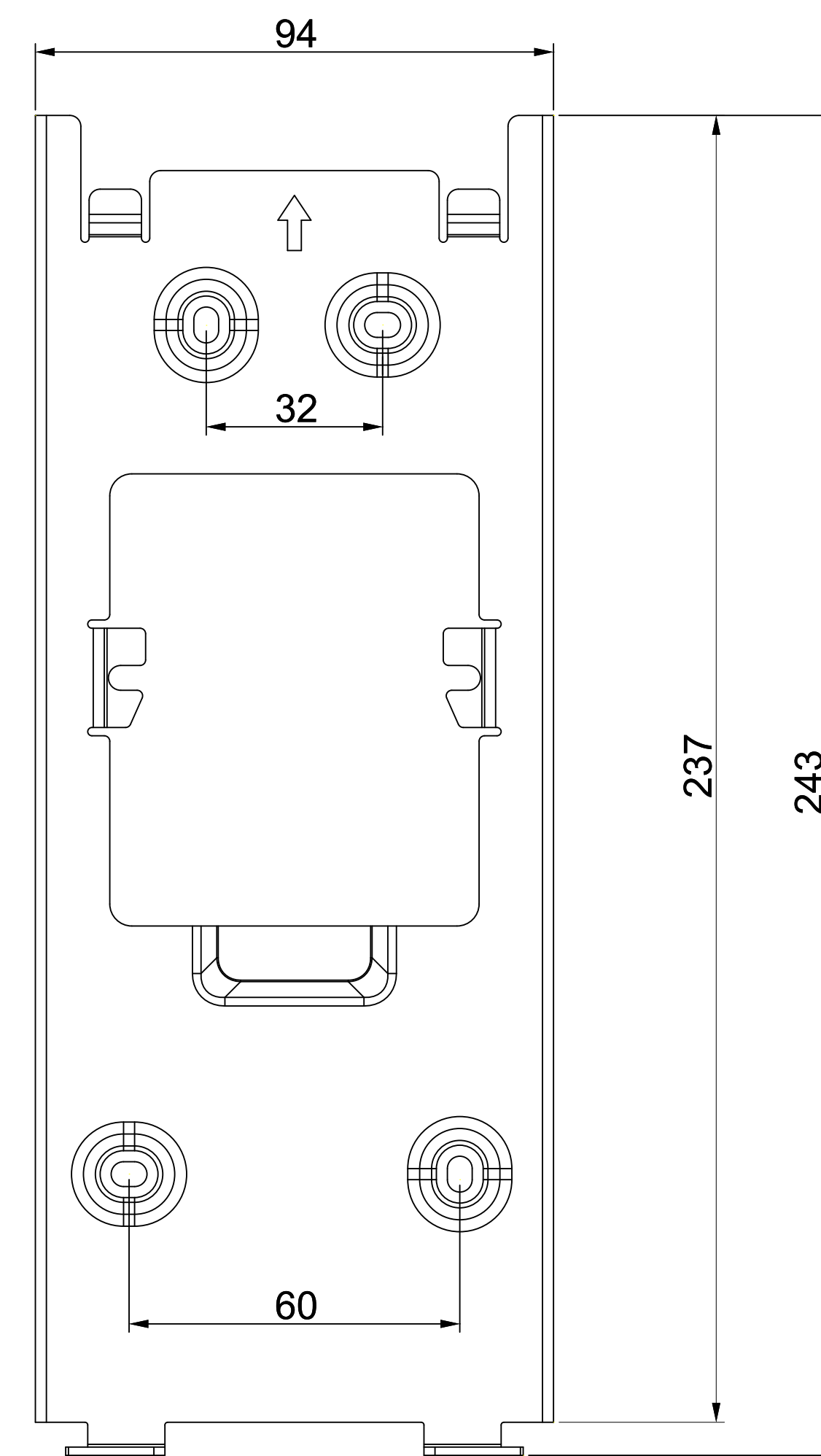
2 of 3



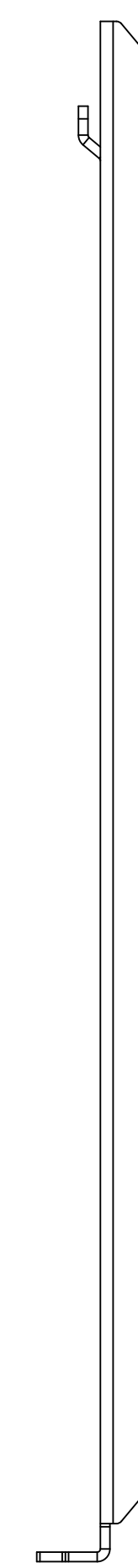
5 **TOP VIEW**



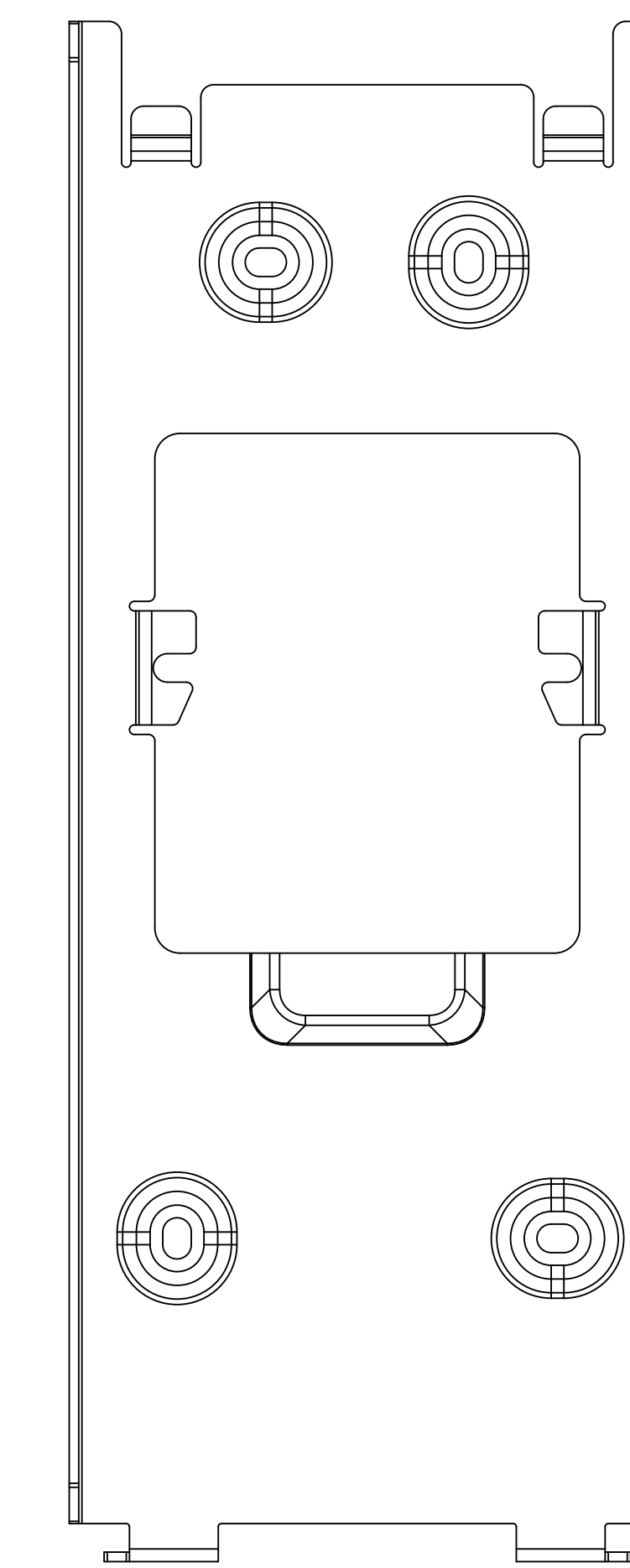
2 **RIGHT VIEW**



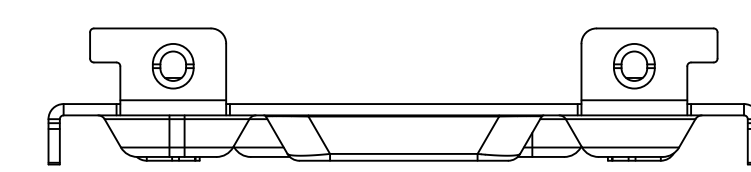
1 **FRONT VIEW**



3 **LEFT VIEW**



4 **BACK VIEW**



6 **BOTTOM VIEW**

**Applicable Model**

E18

**Drawing Title**

Placement

**Drawing Unit**

mm

**Drawing Scale**

Not to scale

**DRAFT  
SUBJECT TO  
CHANGE**

**Last Revised**

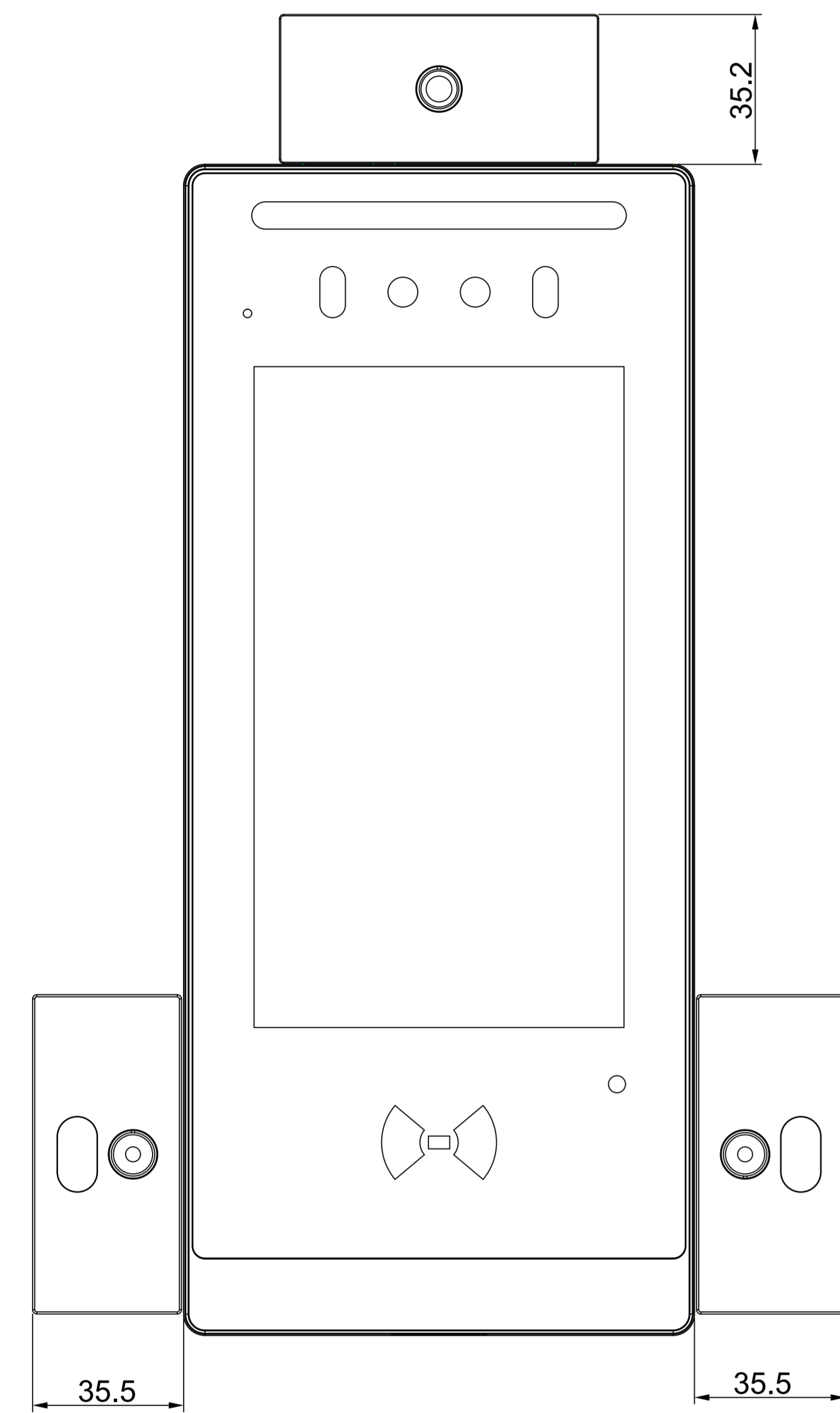
Oct 14,2021

**Drawing Version**

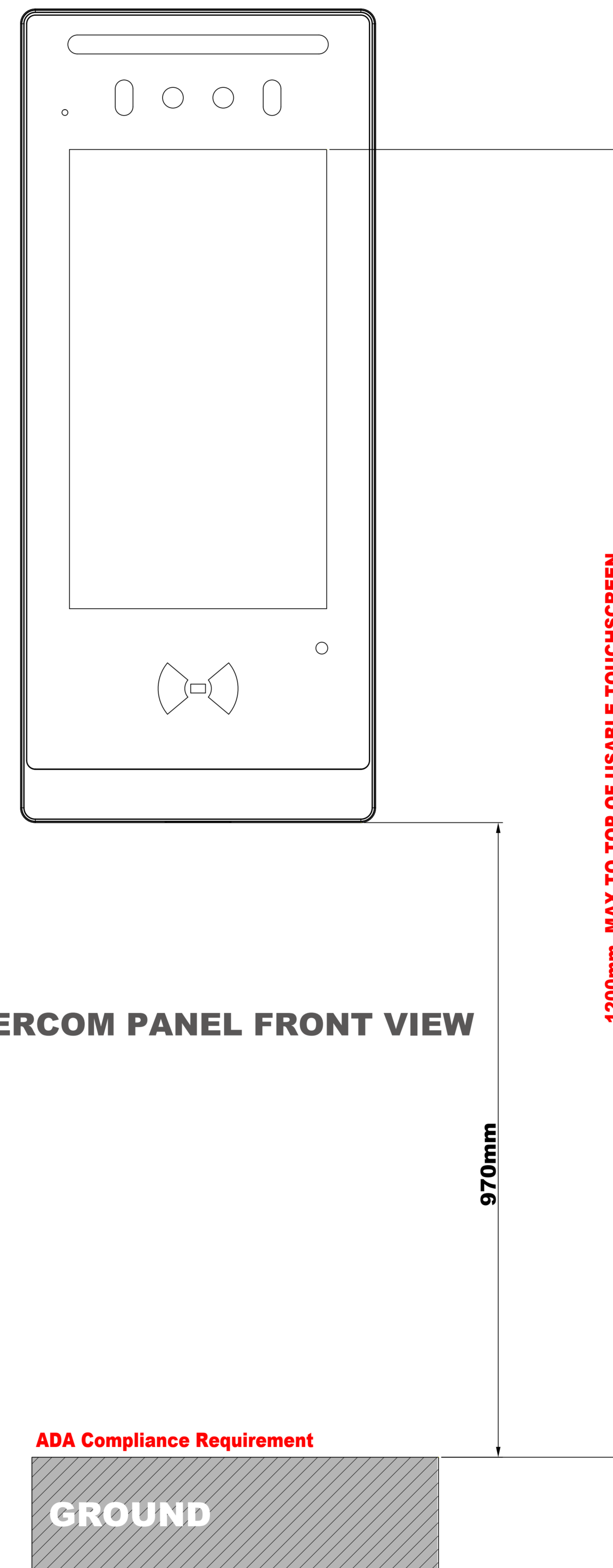
V1.0

**Page**

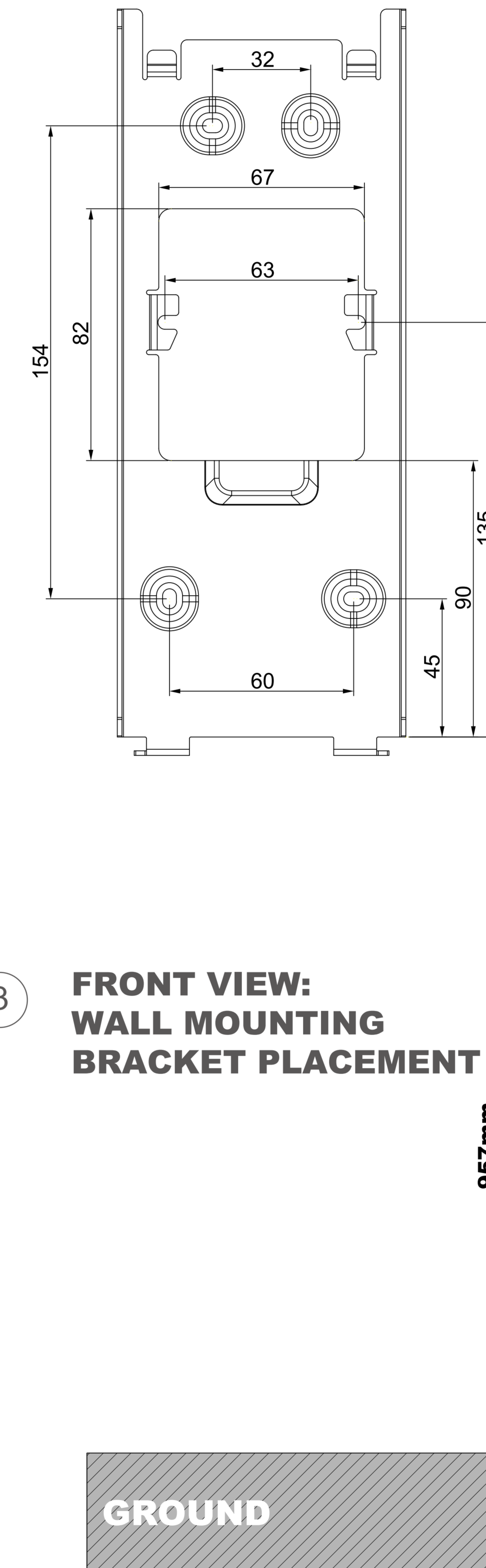
3 of 3



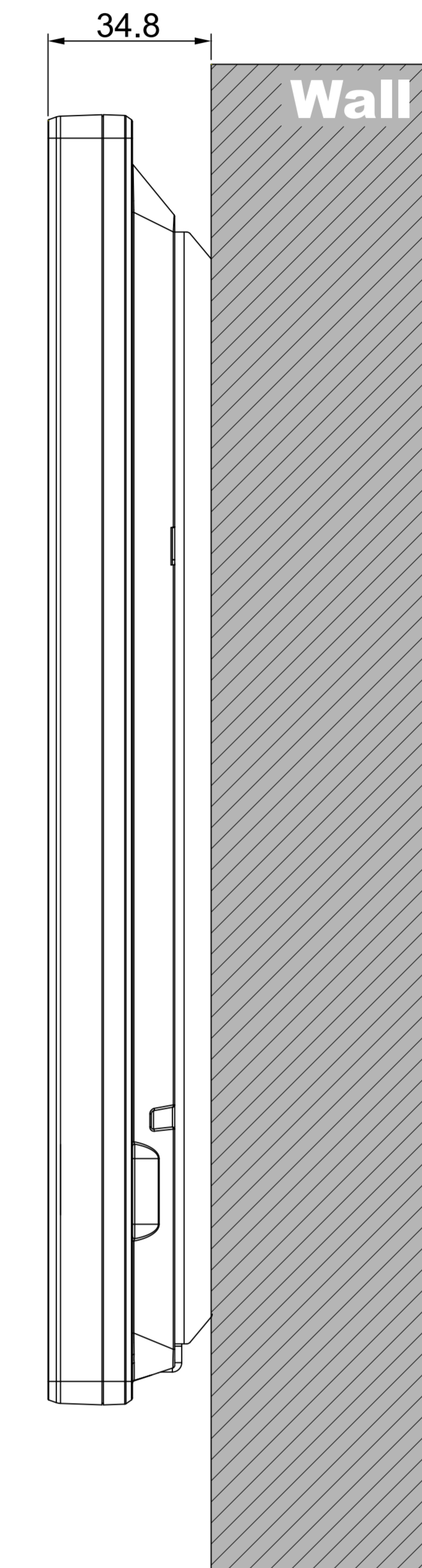
① INTERCOM PANEL FRONT VIEW



② INTERCOM PANEL FRONT VIEW



③ FRONT VIEW:  
WALL MOUNTING  
BRACKET PLACEMENT



④ SIDE VIEW:INTERCOM ON WALL