

**Applicable Model**

X912

**Drawing Title**

Intercom Panel

**Drawing Unit**

mm

**Drawing Scale**

Not to scale

**DRAFT  
SUBJECT TO  
CHANGE**

**Last Revised**

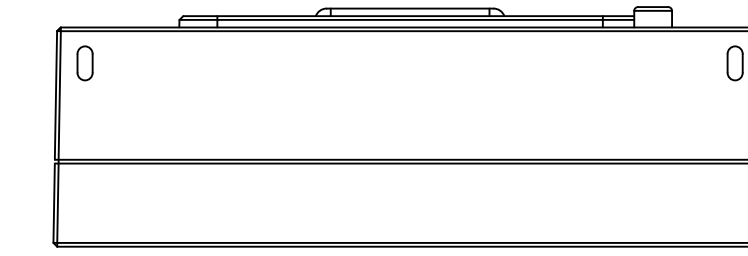
Jan 04,2022

**Drawing Version**

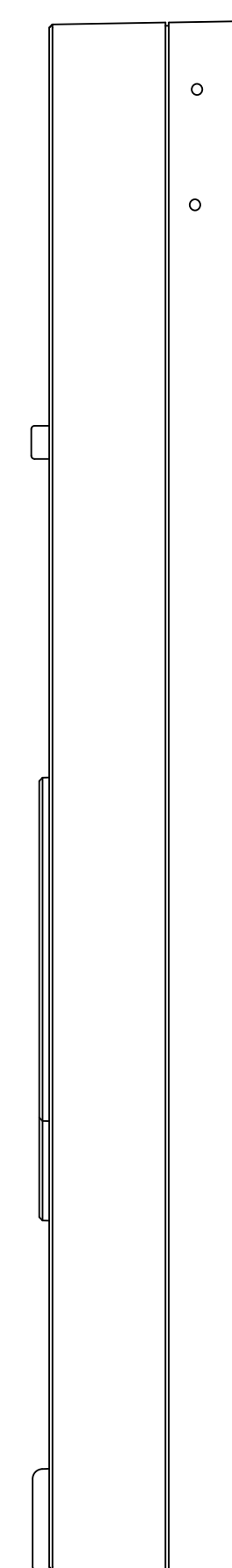
V1.0

**Page**

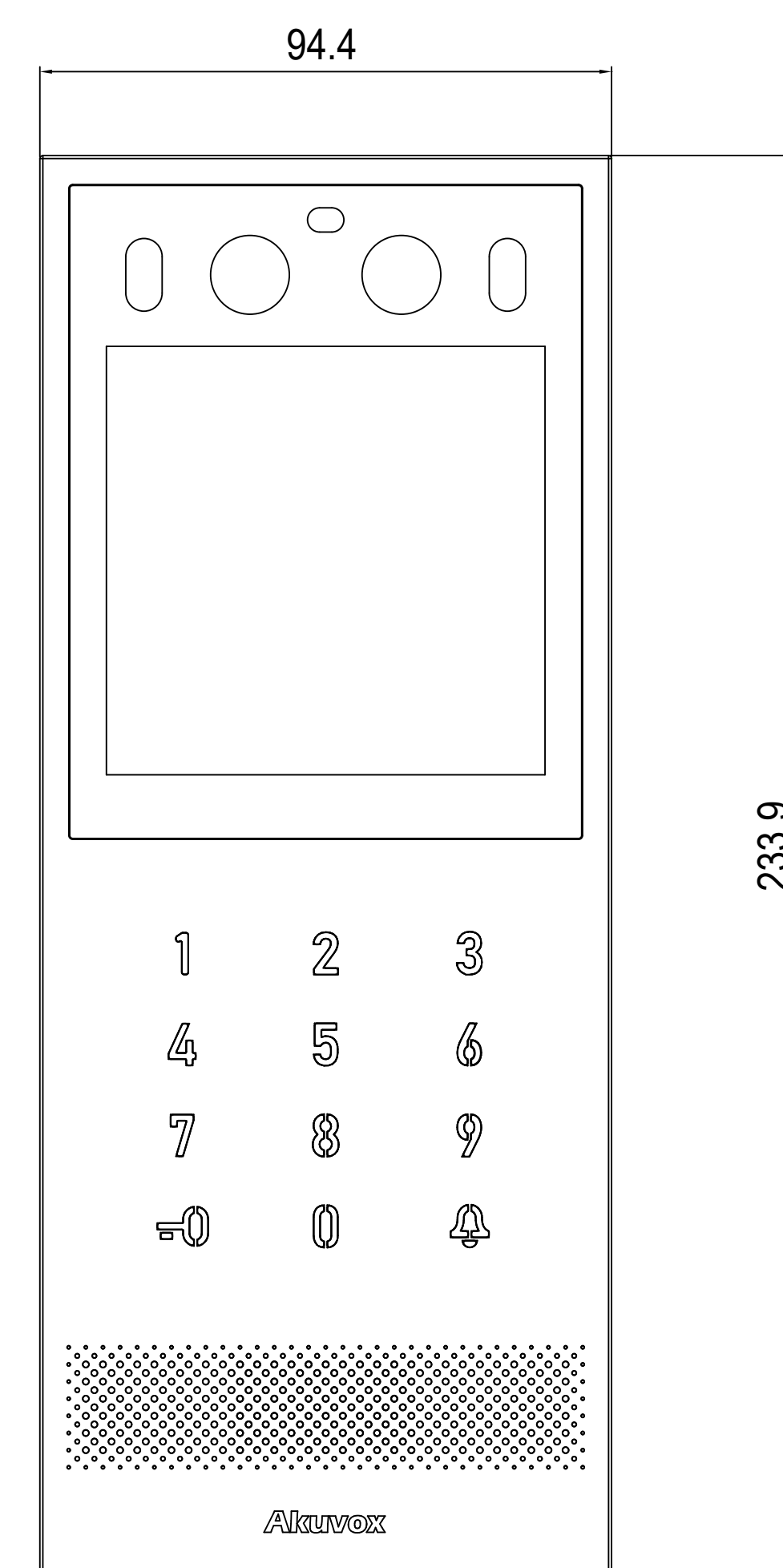
1 of 3



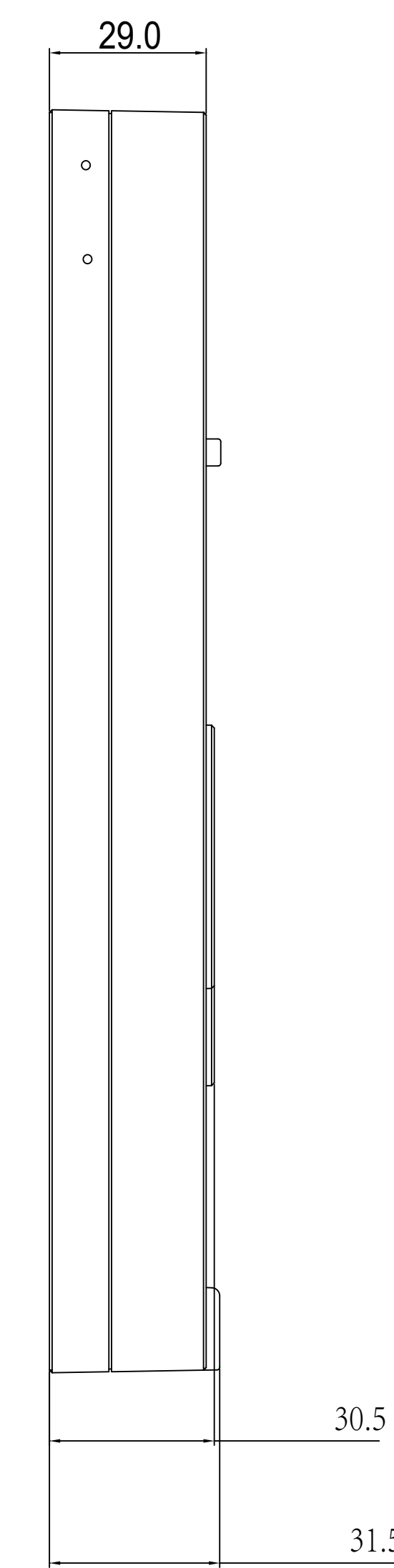
5 **TOP VIEW**



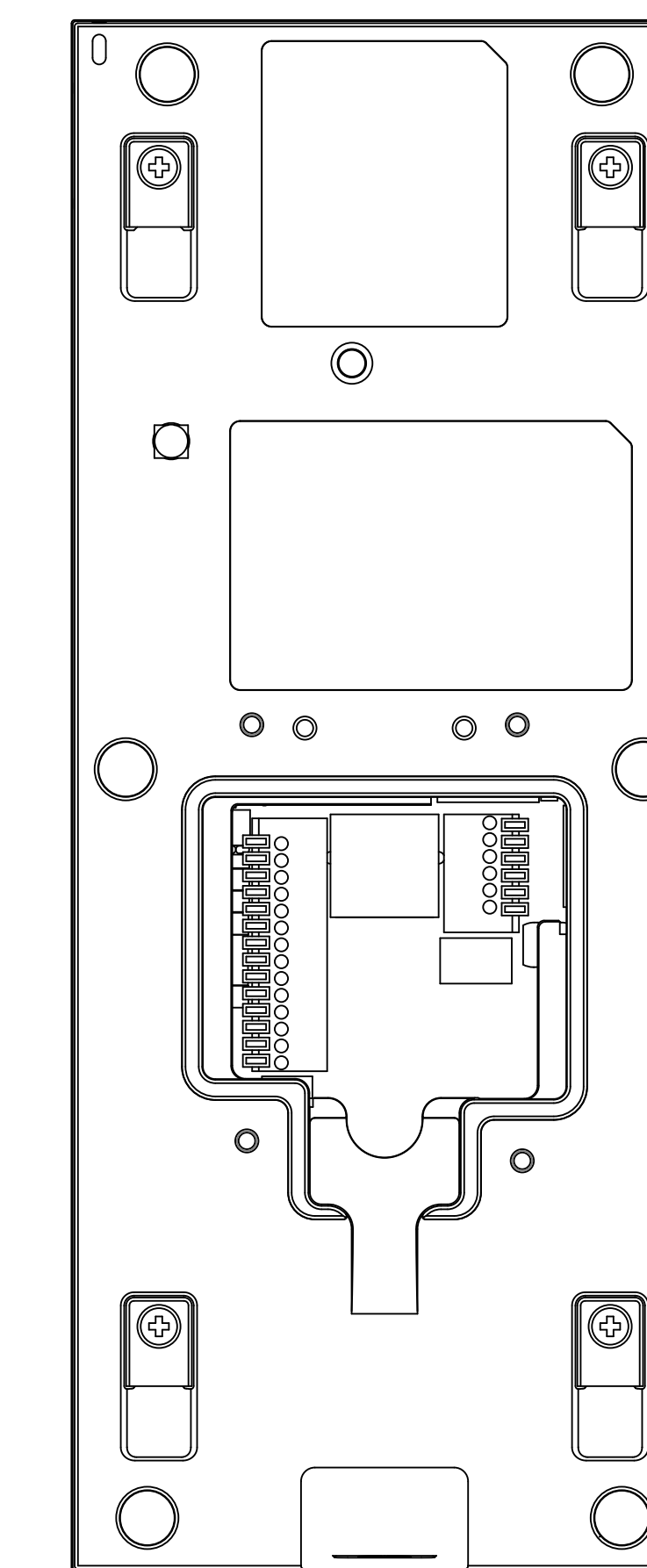
2 **RIGHT VIEW**



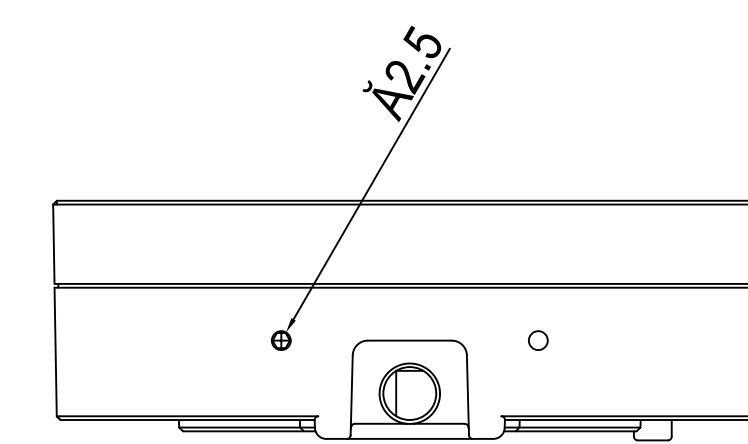
1 **FRONT VIEW**



3 **LEFT VIEW**



4 **BACK VIEW**



6 **BOTTOM VIEW**

**Applicable Model**

X912

**Drawing Title**

Wall Mounting Bracket

**Drawing Unit**

mm

**Drawing Scale**

Not to scale

**DRAFT  
SUBJECT TO  
CHANGE**

**Last Revised**

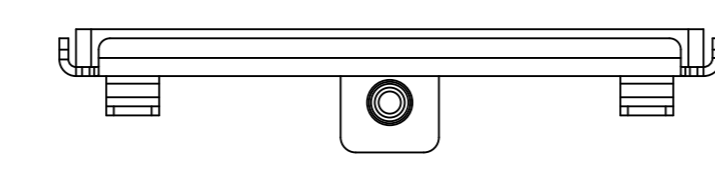
Jan 04,2022

**Drawing Version**

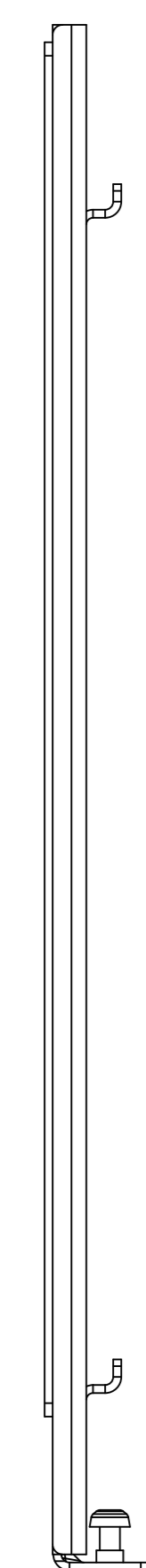
V1.0

**Page**

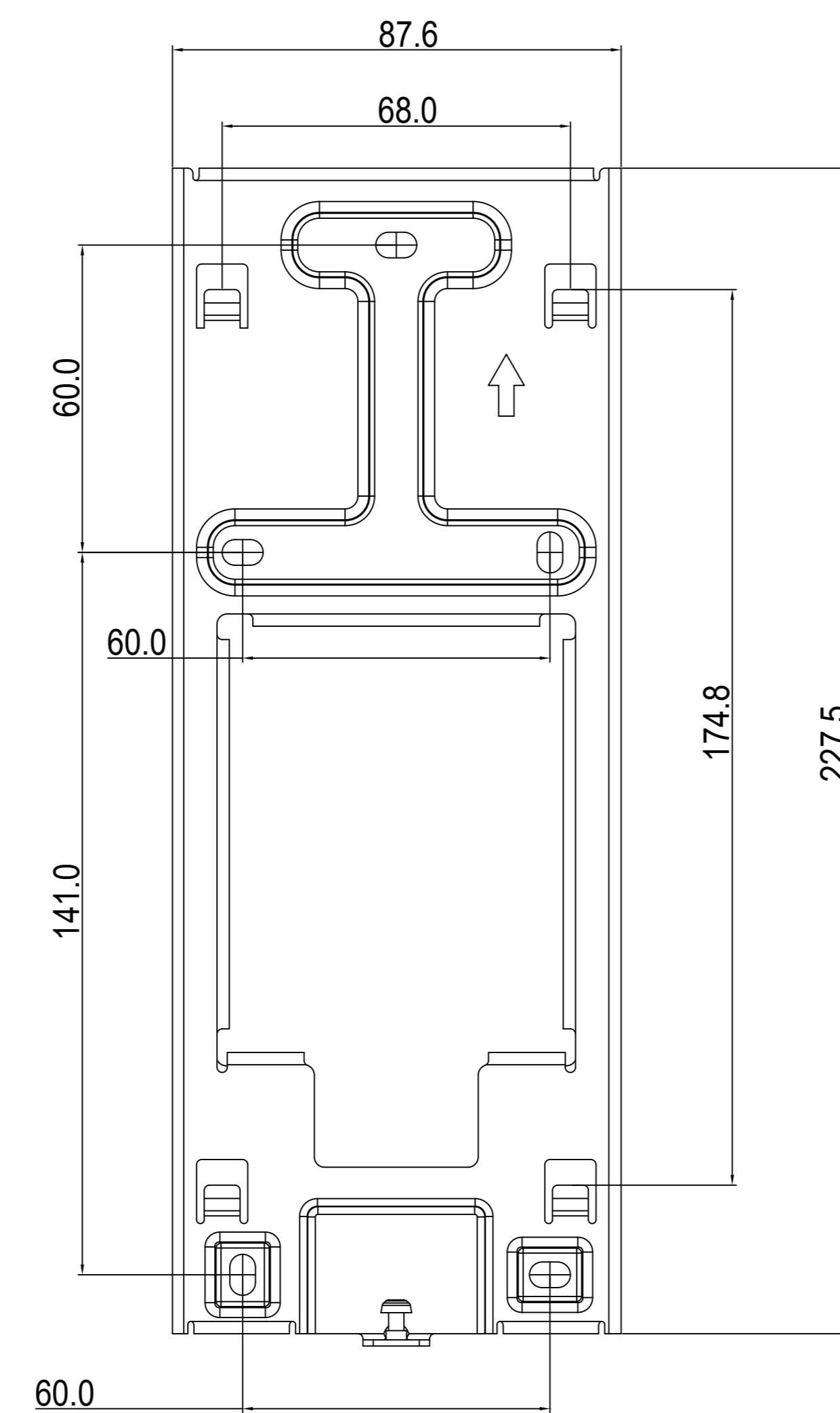
2 of 3



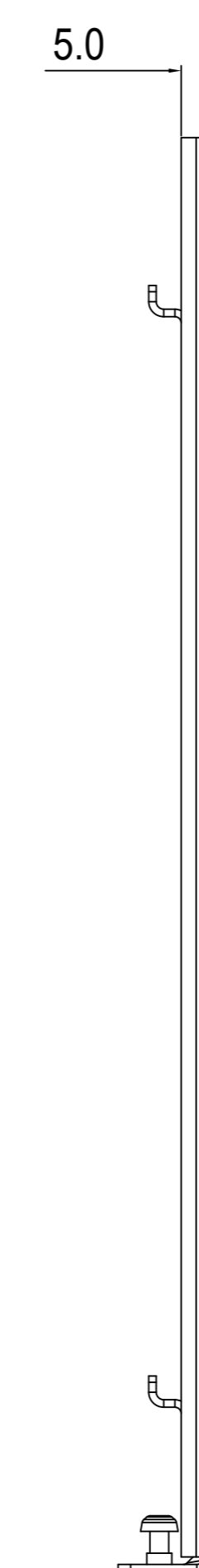
5 **TOP VIEW**



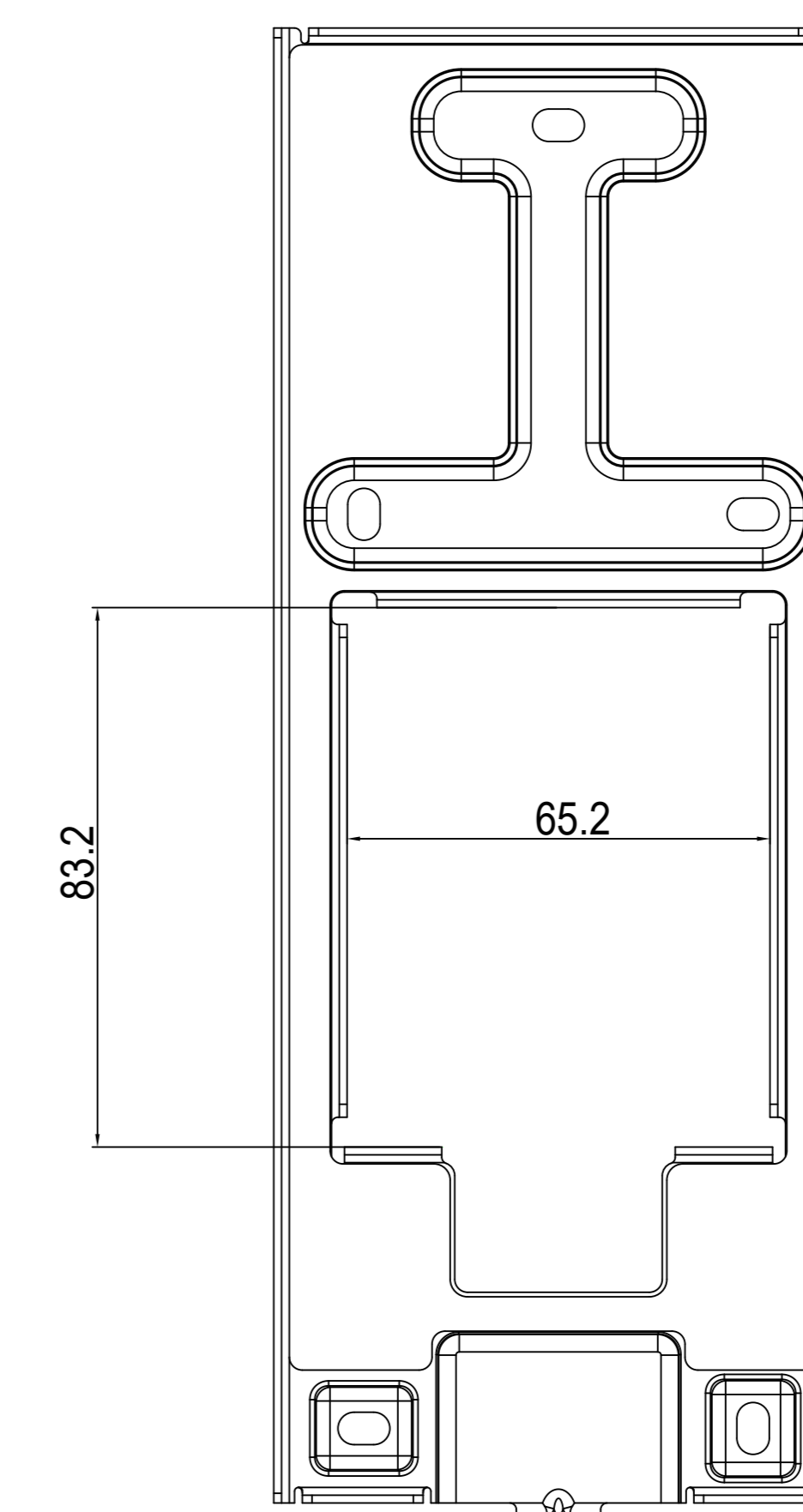
2 **RIGHT VIEW**



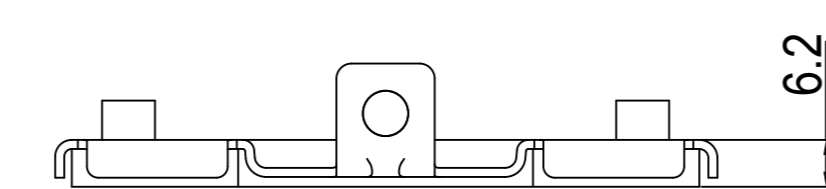
1 **FRONT VIEW**



3 **LEFT VIEW**



4 **BACK VIEW**



6 **BOTTOM VIEW**

**Applicable Model**

X912

**Drawing Title**

Placement

**Drawing Unit**

mm

**Drawing Scale**

Not to scale

**DRAFT  
SUBJECT TO  
CHANGE**

**Last Revised**

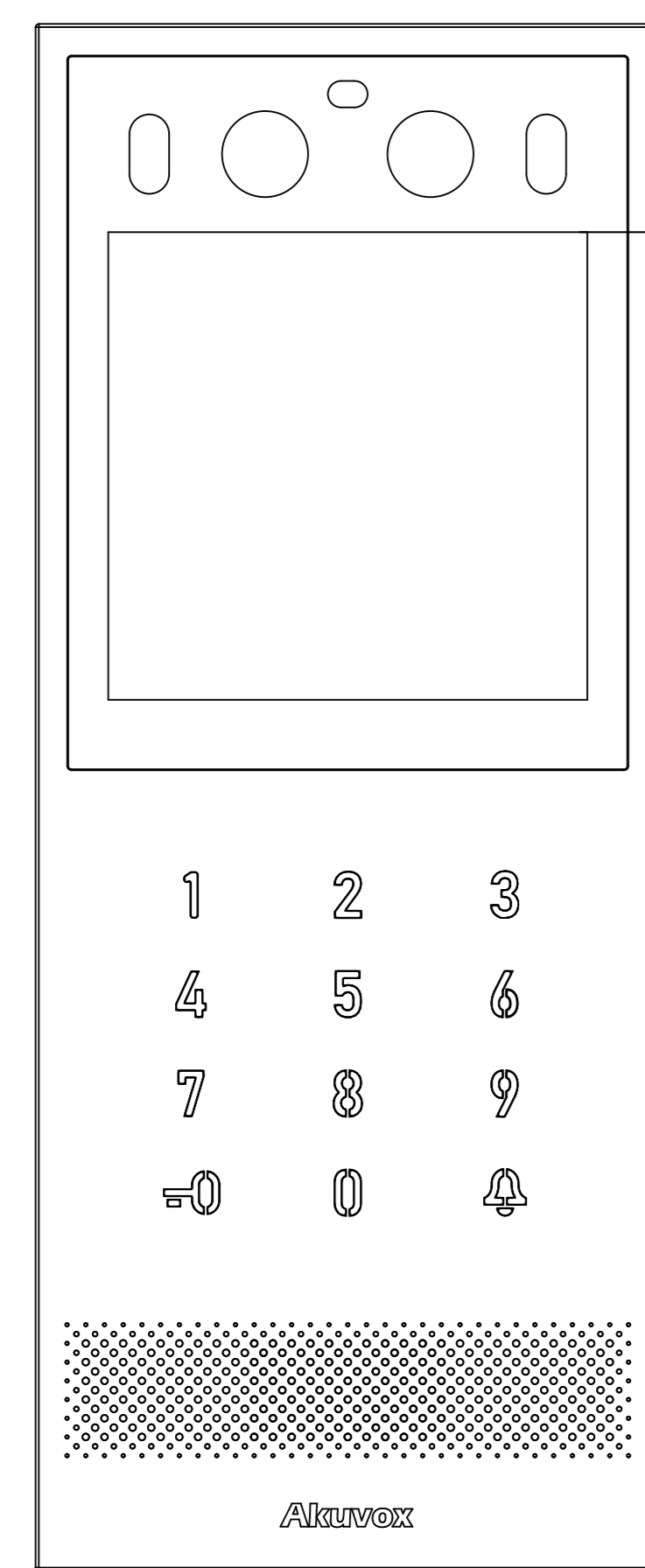
Jan 04,2022

**Drawing Version**

V1.0

**Page**

3 of 3



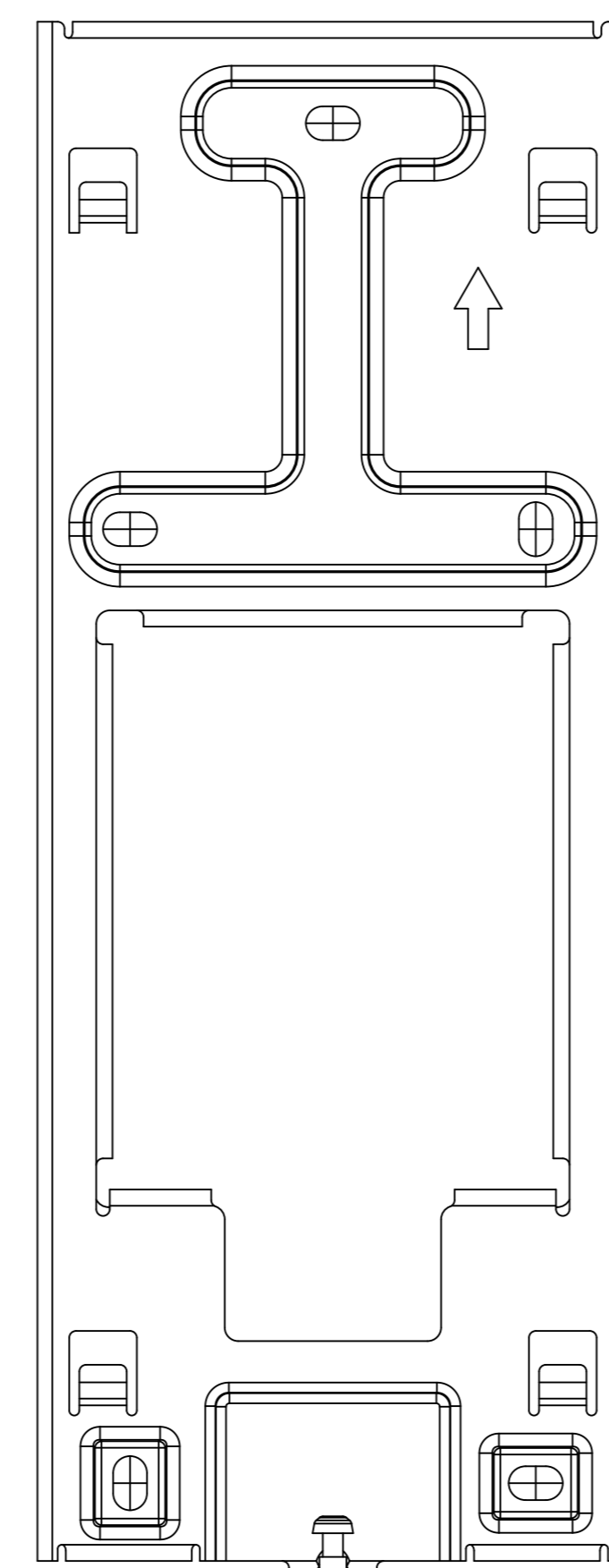
① INTERCOM PANEL FRONT VIEW

998mm TO BOTTON OF PANEL

1200mm MAX TO TOP OF USABLE TOUCHSCREEN

**ADA Compliance Requirement**

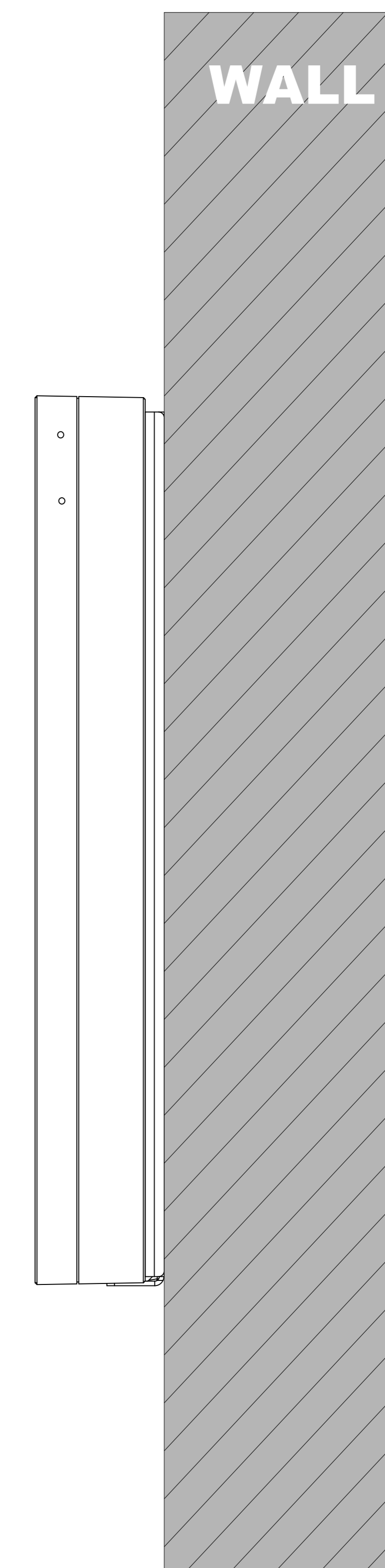
**GROUND**



② BRACKET PLACEMENT

1000mm TO BOTTON OF BRACKET

**GROUND**



③ SIDE VIEW:INTERCOM ON WALL

**WALL**