

Applicable Model

X915

Drawing Title

Intercom Panel

Drawing Unit

mm

Drawing Scale

Not to scale

**DRAFT
SUBJECT T
CHANGE**

Last Revised

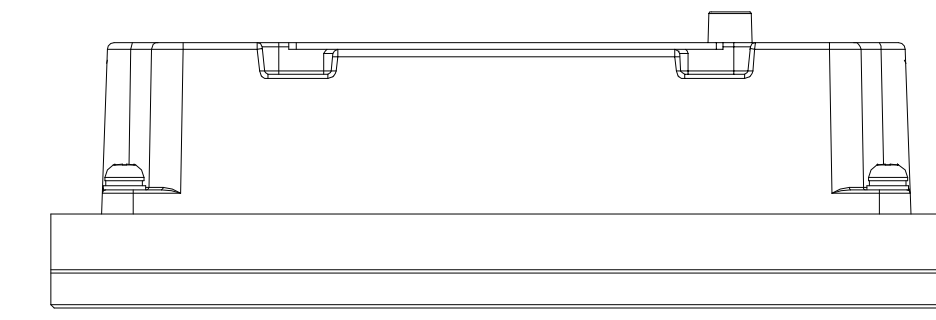
Sept. 28, 2021

Drawing Version

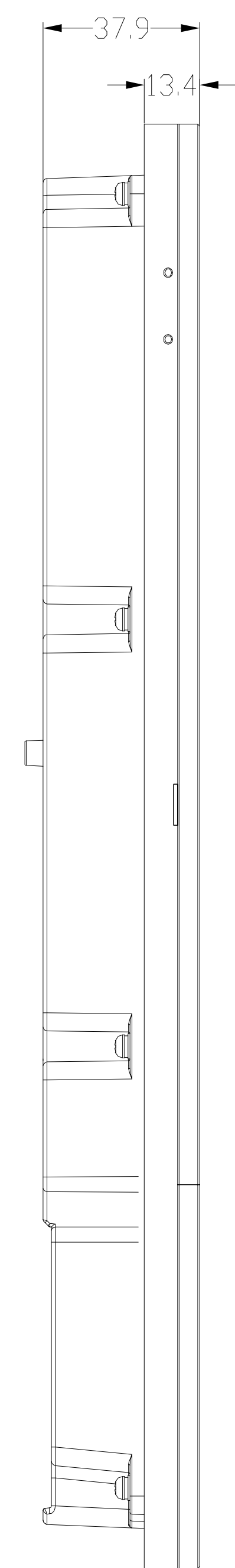
V1.1

Page

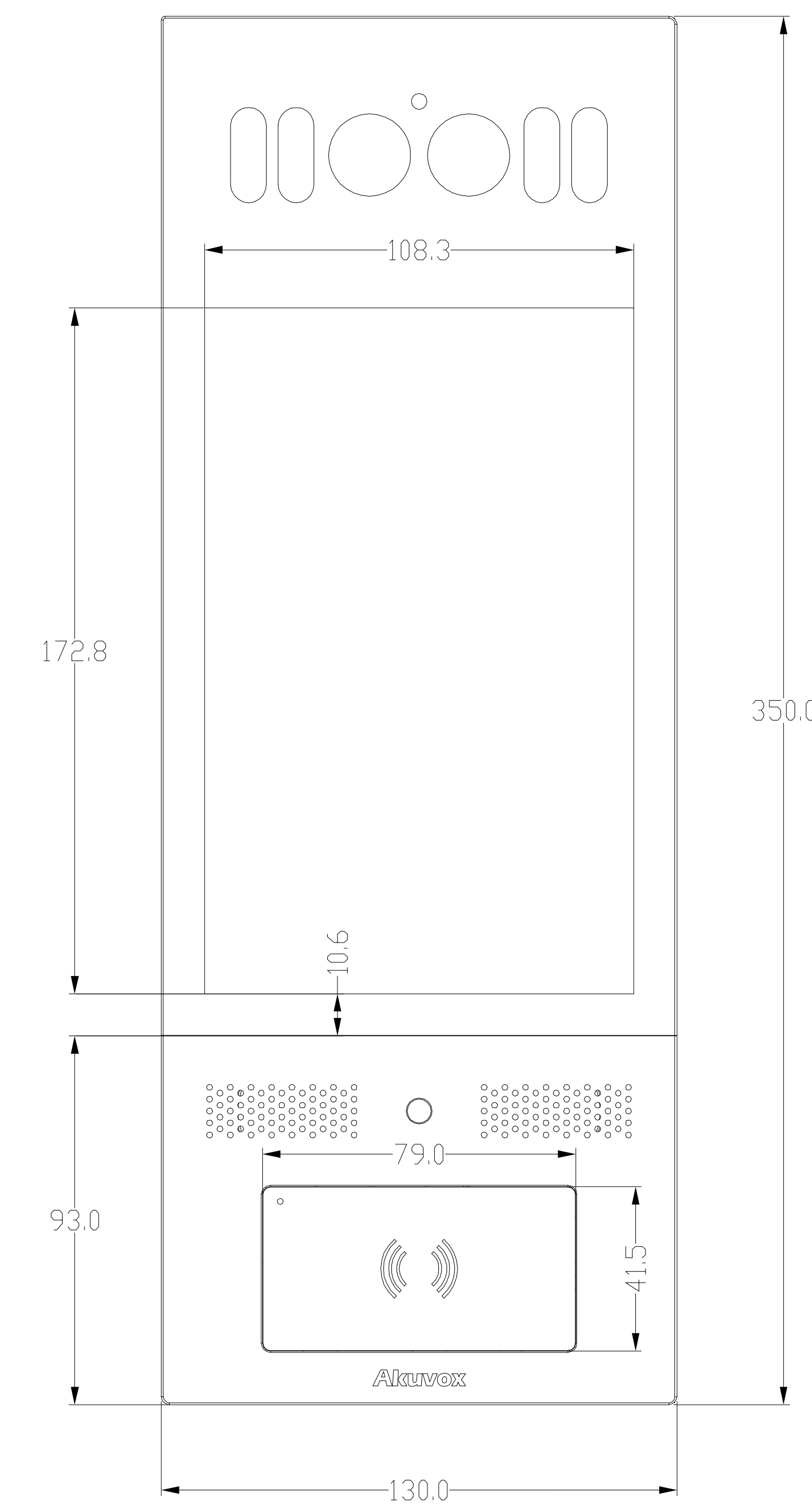
1 of 9



5 **TOP VIEW**



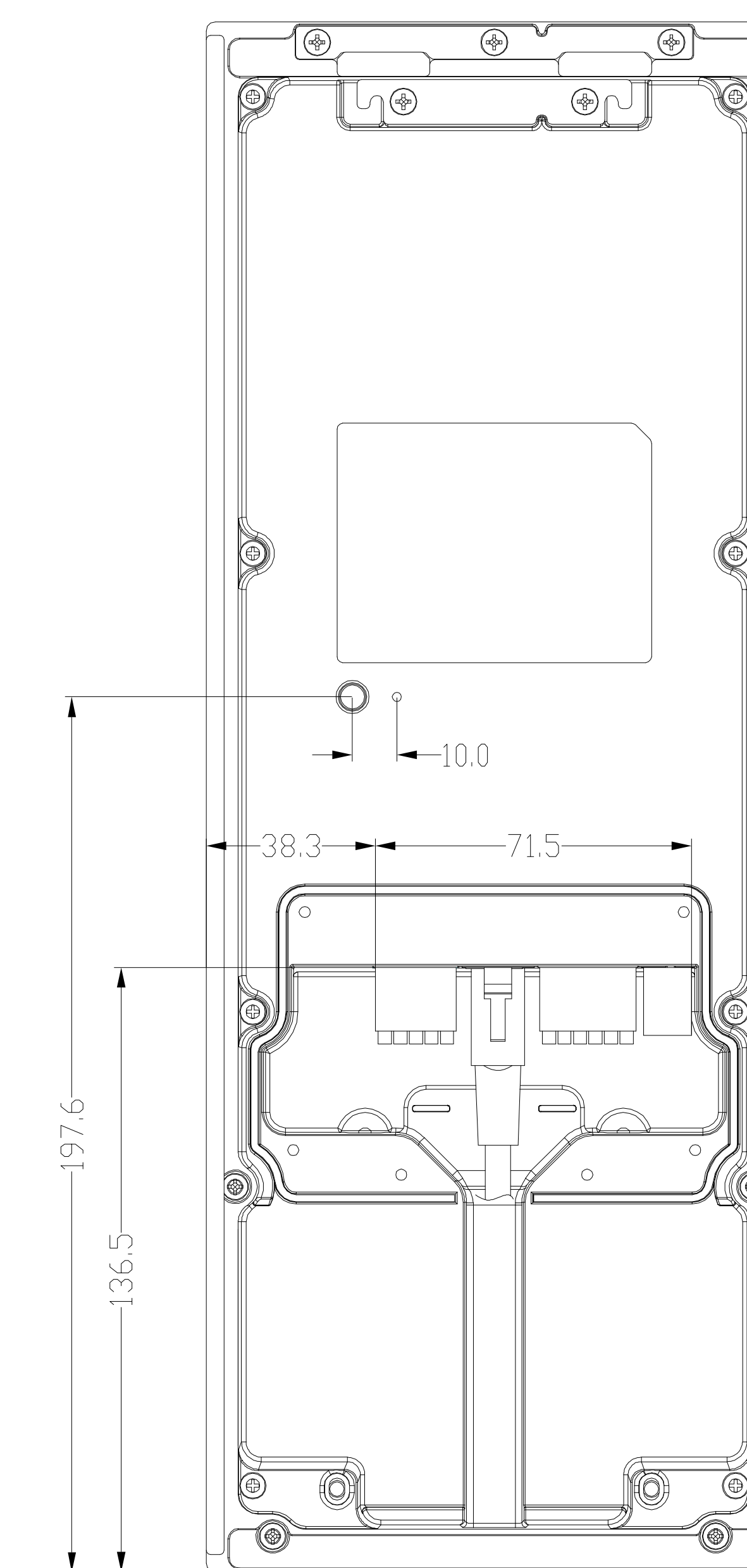
2 **RIGHT VIEW**



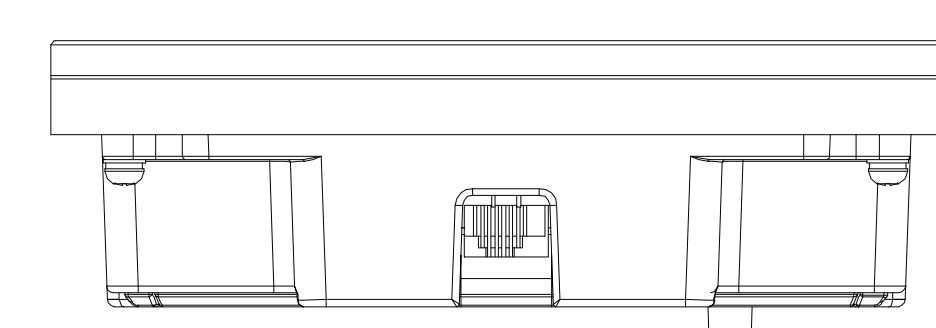
1 **FRONT VIEW**



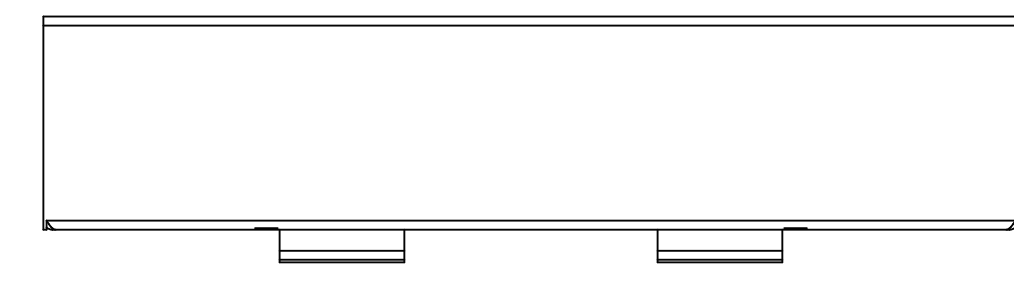
3 **LEFT VIEW**



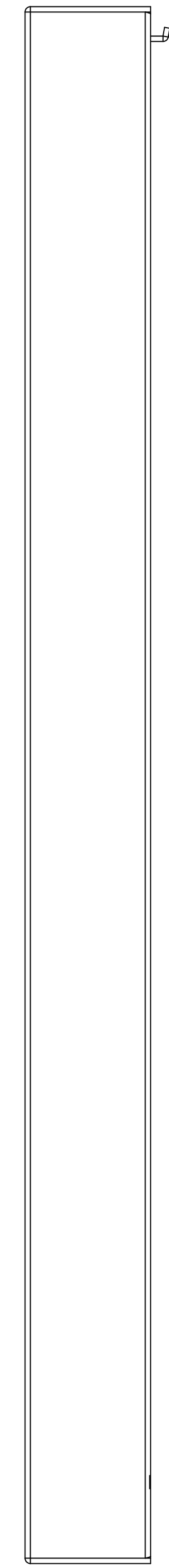
4 **BACK VIEW**



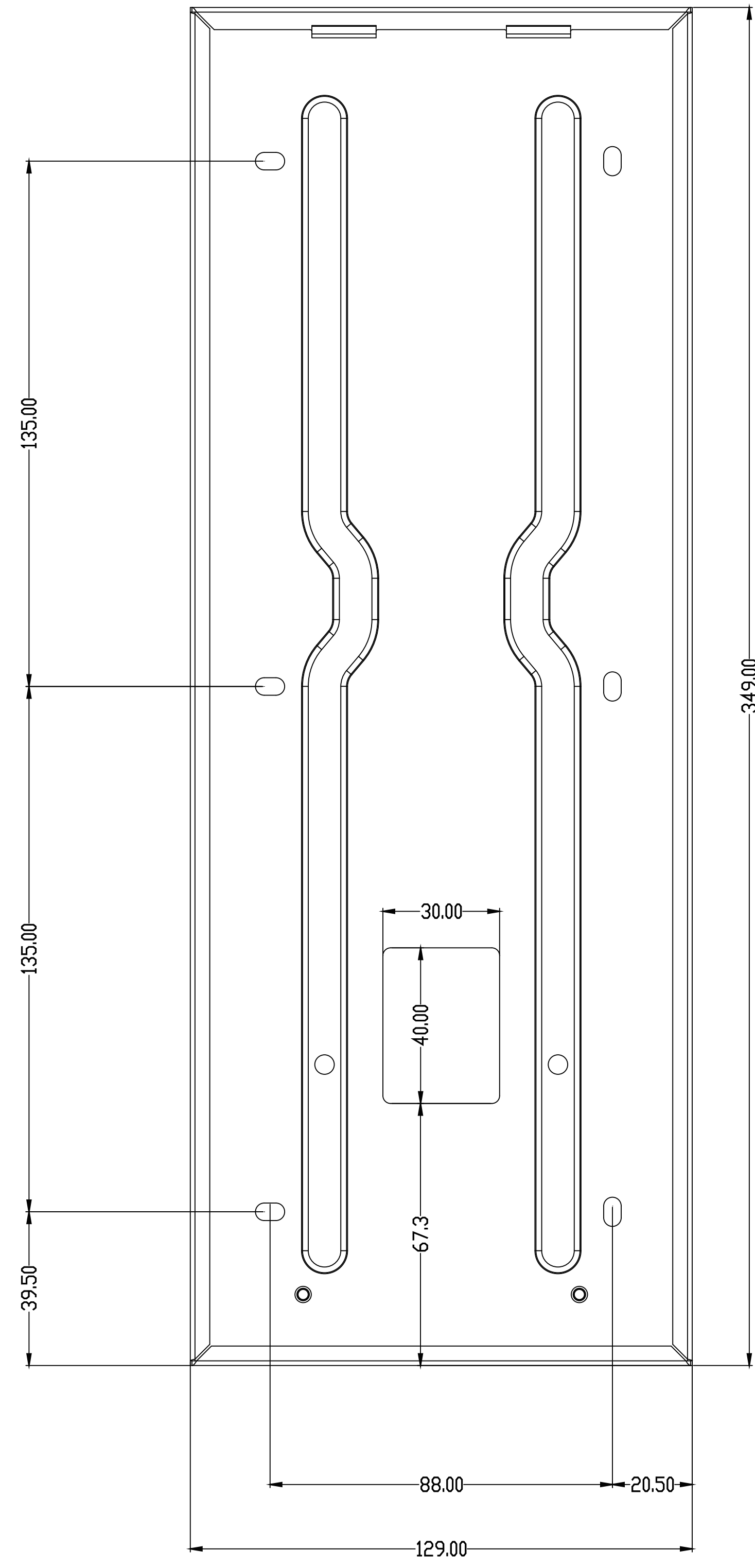
6 **BOTTOM VIEW**



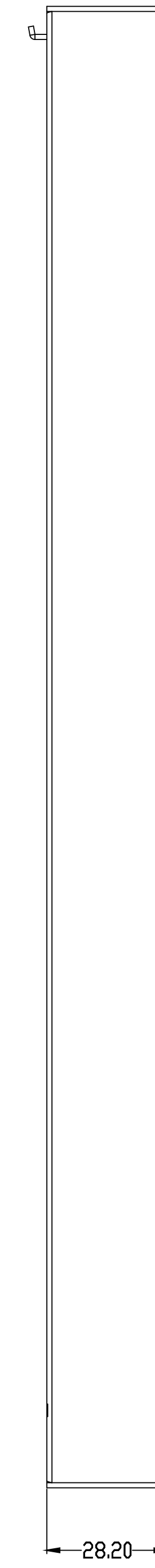
5 TOP VIEW



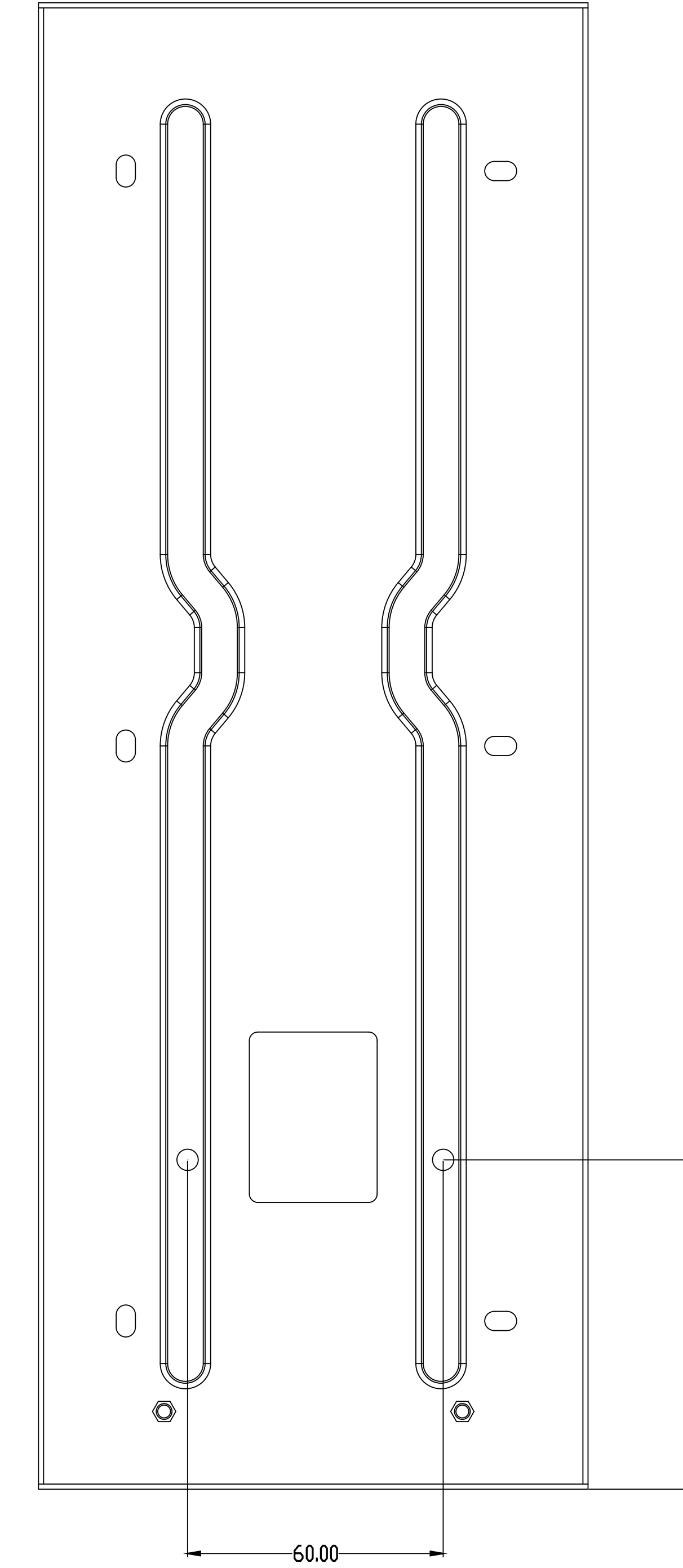
2 RIGHT VIEW



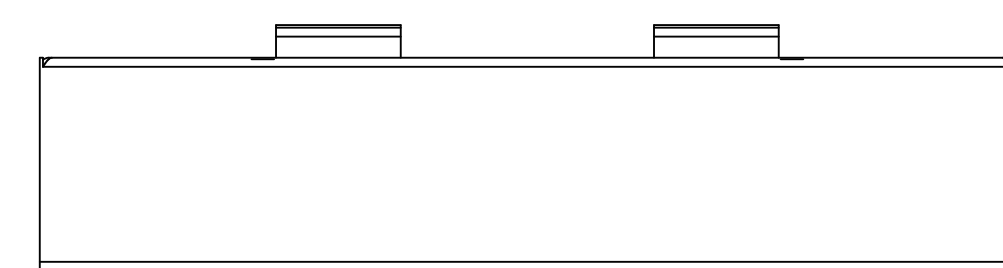
1 FRONT VIEW



3 LEFT VIEW



4 BACK VIEW



6 BOTTOM VIEW

Applicable Model

X915

Drawing Title

Intercom Panel

Drawing Unit

mm

Drawing Scale

Not to scale

DRAFT
SUBJECT TO
CHANGE

Last Revised

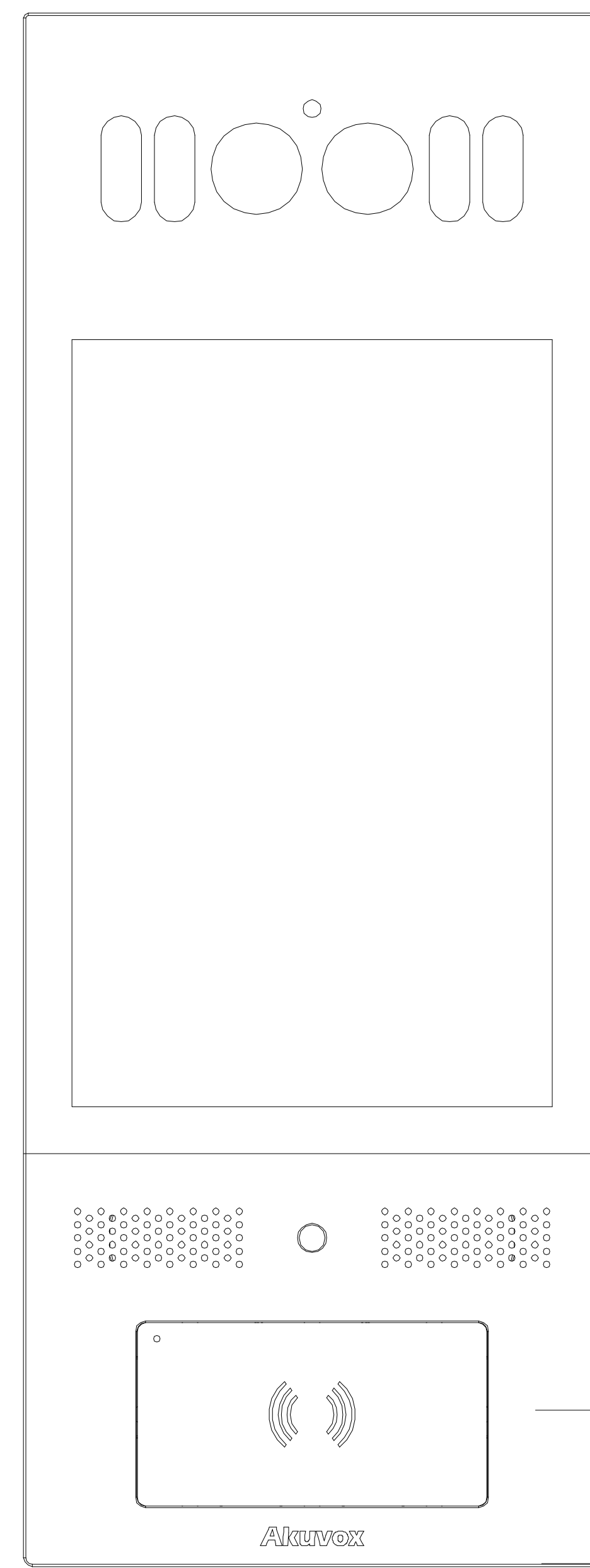
Sept. 28, 2021

Drawing Version

V1.1

Page

2 of 9



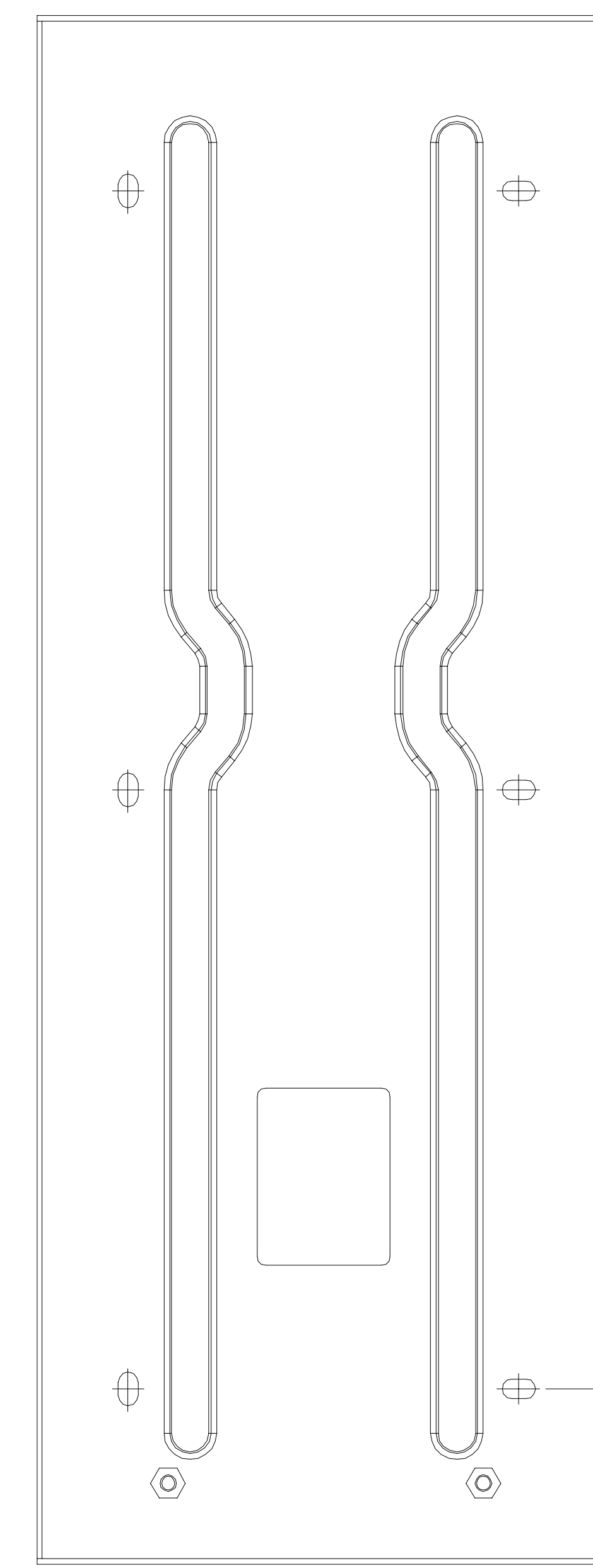
① INTERCOM PANEL FRONT VIEW

1165mm TO BOTTOM OF PANEL

1200mm MAX TO TOP OF USABLE TOUCHSCREEN

ADA Compliance Requirement

GROUND

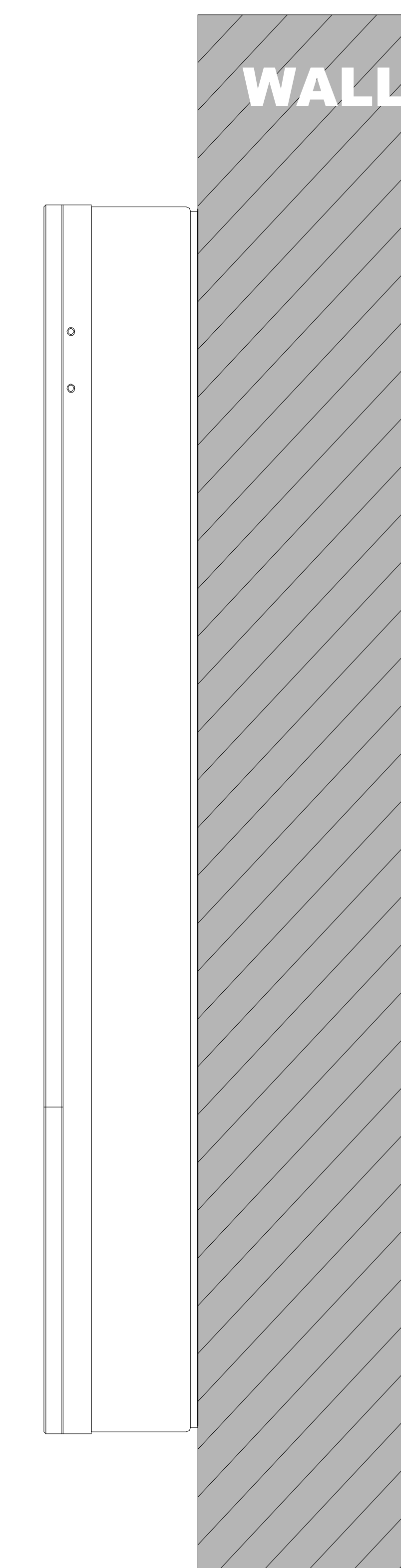


② FRONT VIEW: WALL MOUNTING BOX PLACEMENT

1165mm TO BOTTOM OF BRACKET

1204,mm TO SCREW HOLE CENTER OF BRACKET

GROUND



③ SIDE VIEW:INTERCOM ON WALL

Applicable Model

X915

Drawing Title

Intercom Panel

Drawing Unit

mm

Drawing Scale

Not to scale

DRAFT
SUBJECT TO
CHANGE

Last Revised

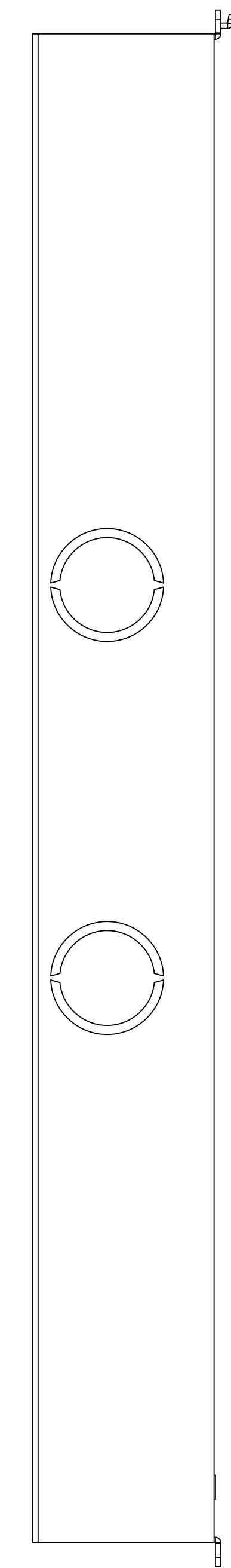
Sept. 28,2021

Drawing Version

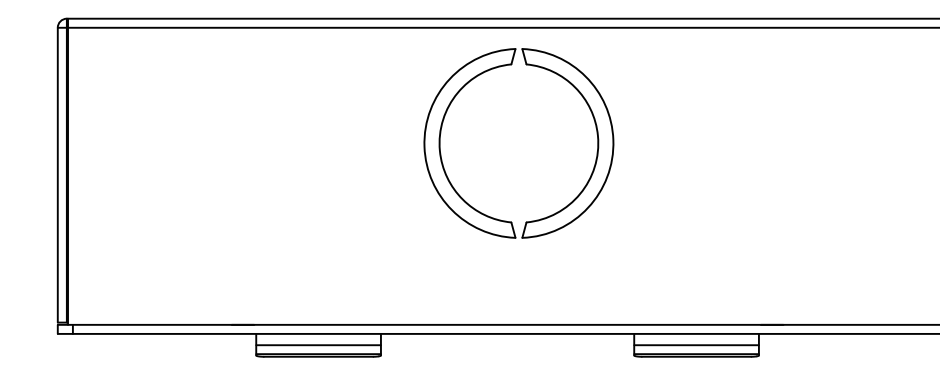
V1.1

Page

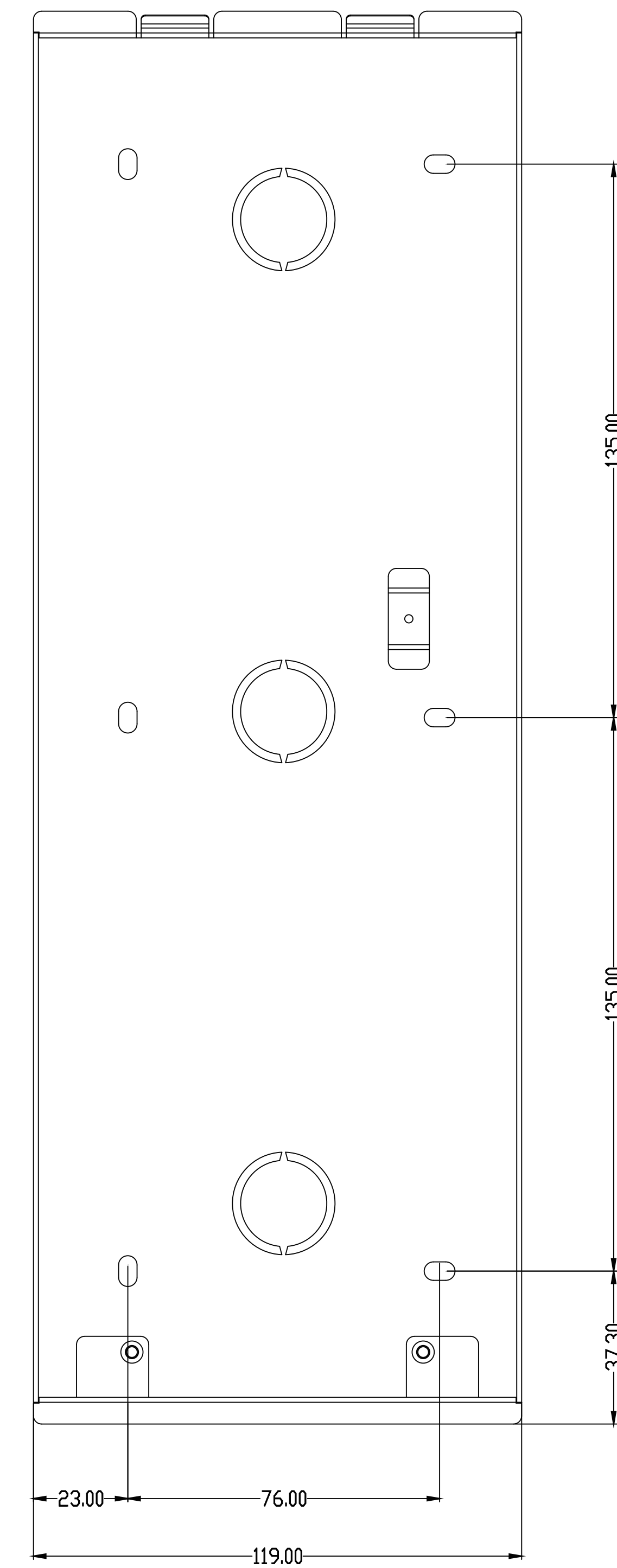
3 of 9



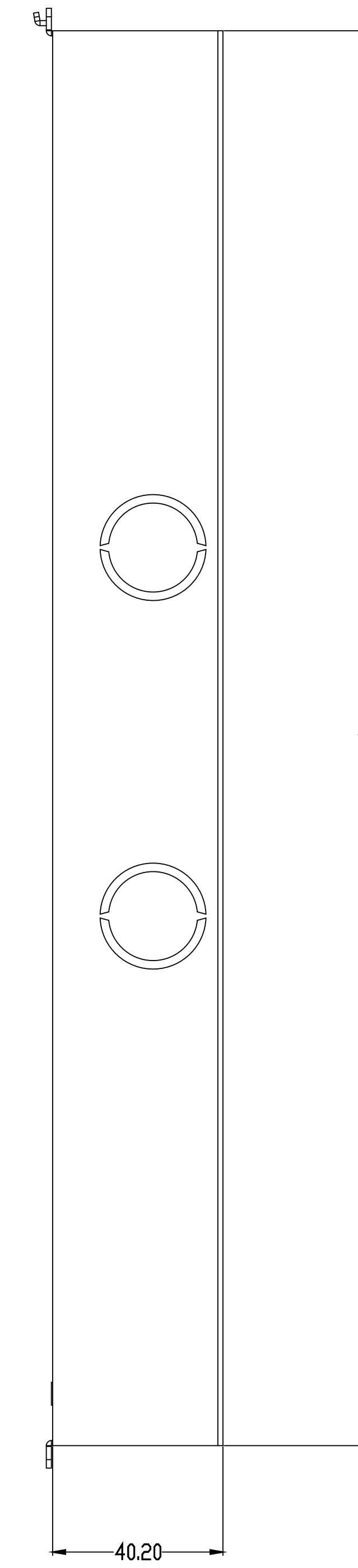
2 RIGHT VIEW



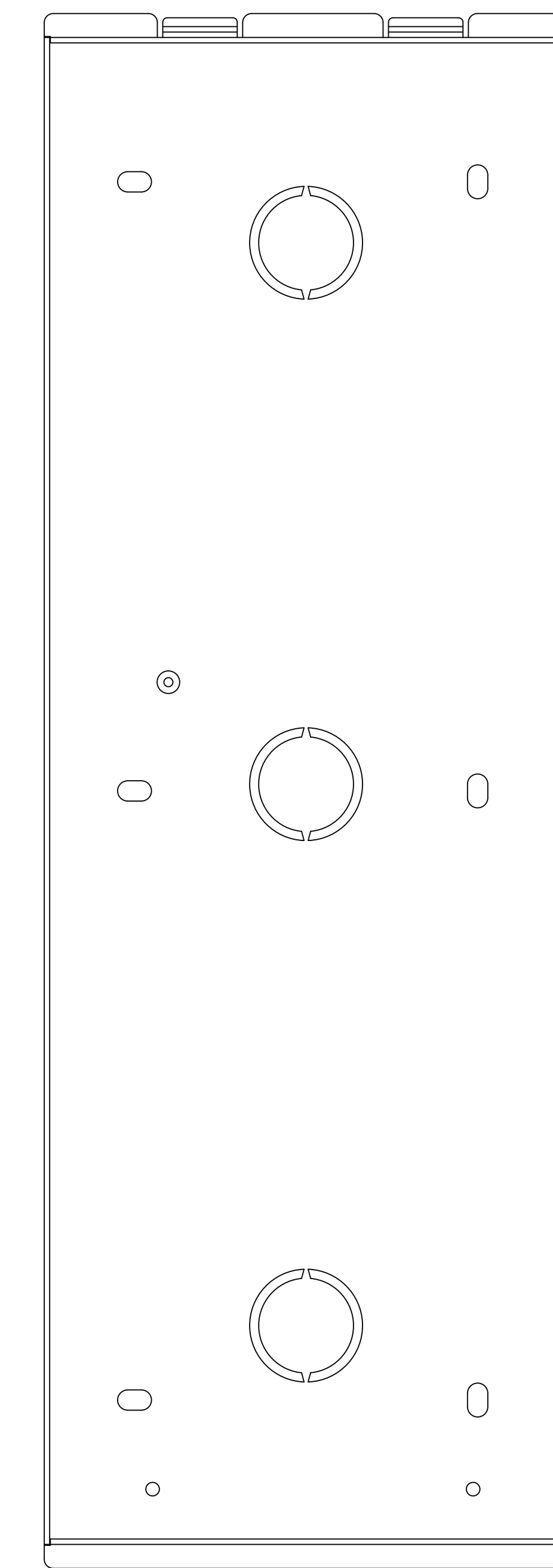
5 TOP VIEW



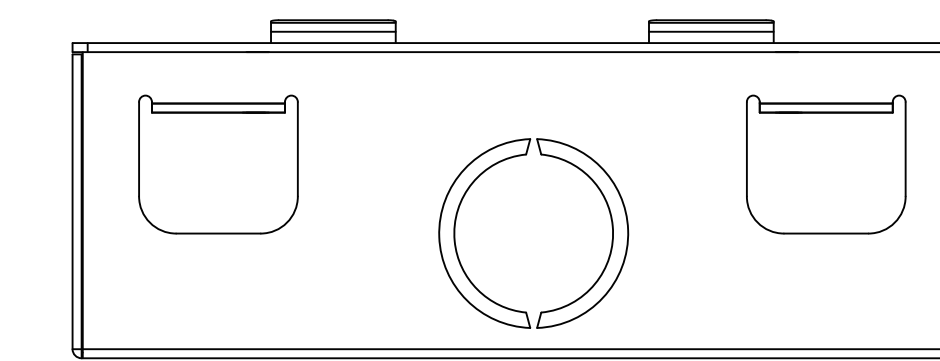
1 FRONT VIEW



3 LEFT VIEW



4 BACK VIEW



6 BOTTOM VIEW

Applicable Model

X915

Drawing Title

Intercom Panel

Drawing Unit

mm

Drawing Scale

Not to scale

**DRAFT
SUBJECT TO
CHANGE**

Last Revised

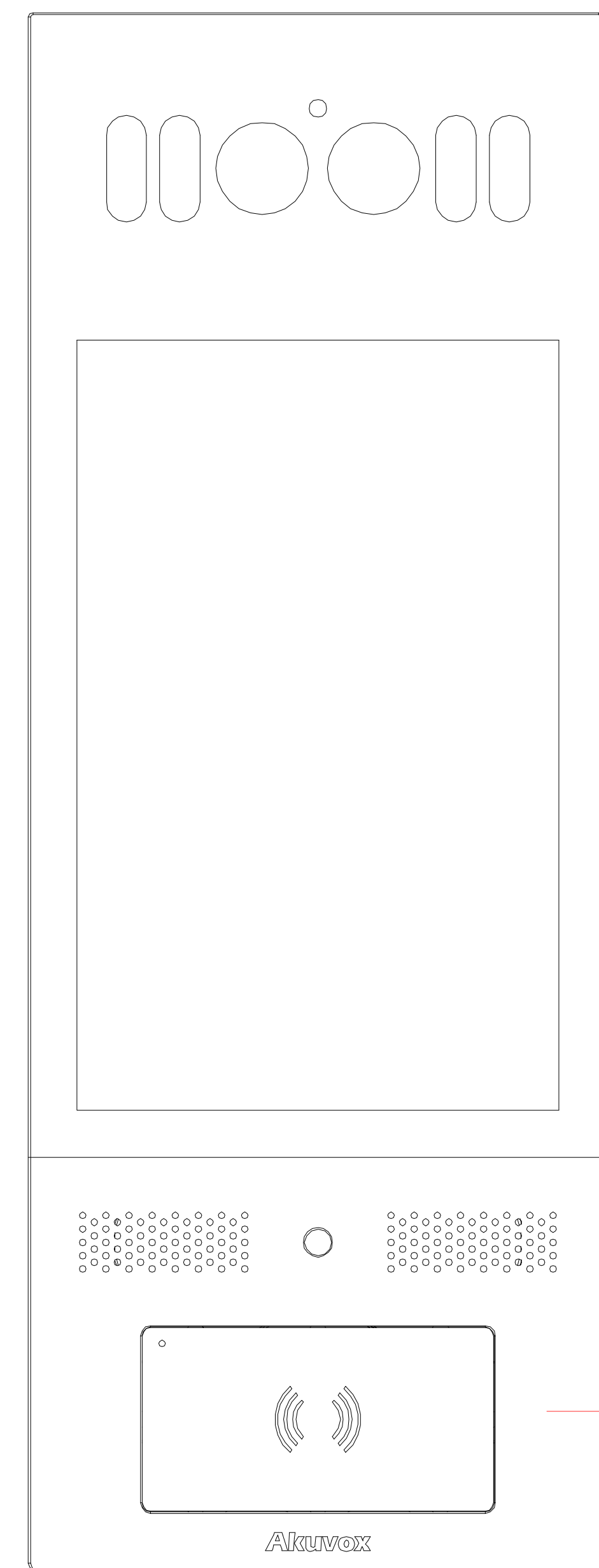
Sept. 28, 2021

Drawing Version

V1.1

Page

4 of 9



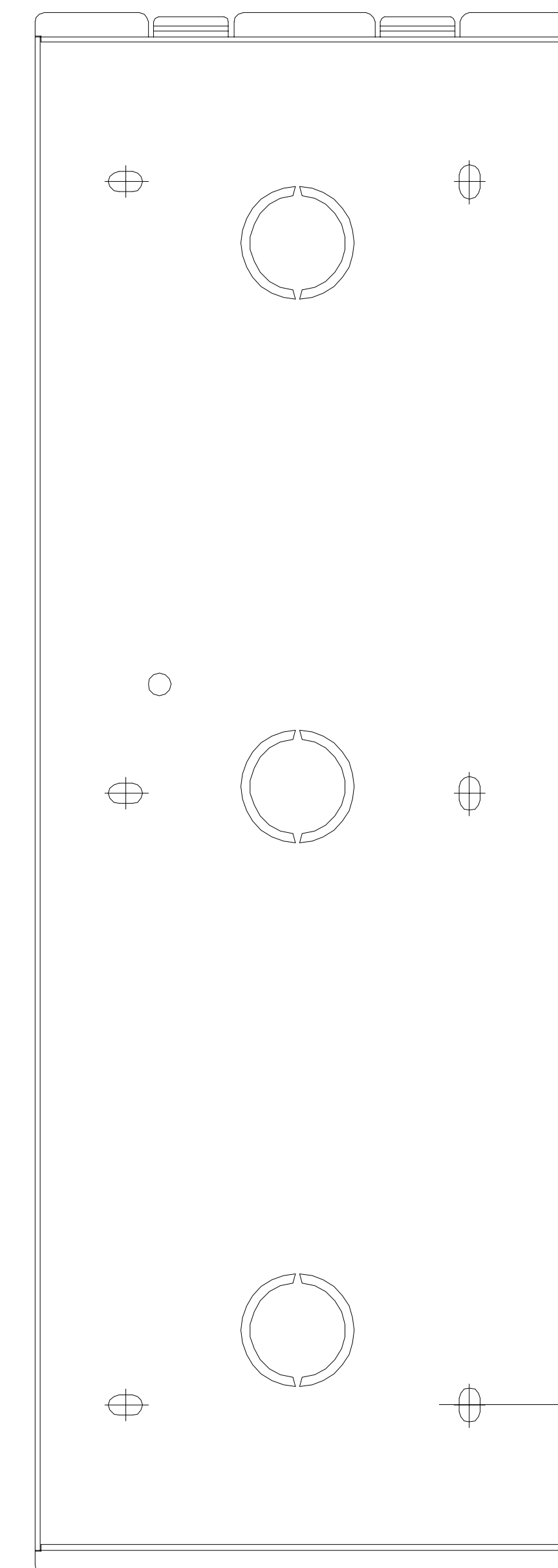
① INTERCOM PANEL FRONT VIEW

1165mm TO BOTTOM OF PANEL

1200mm MAX TO TOP OF USABLE TOUCHSCREEN

ADA Compliance Requirement

GROUND

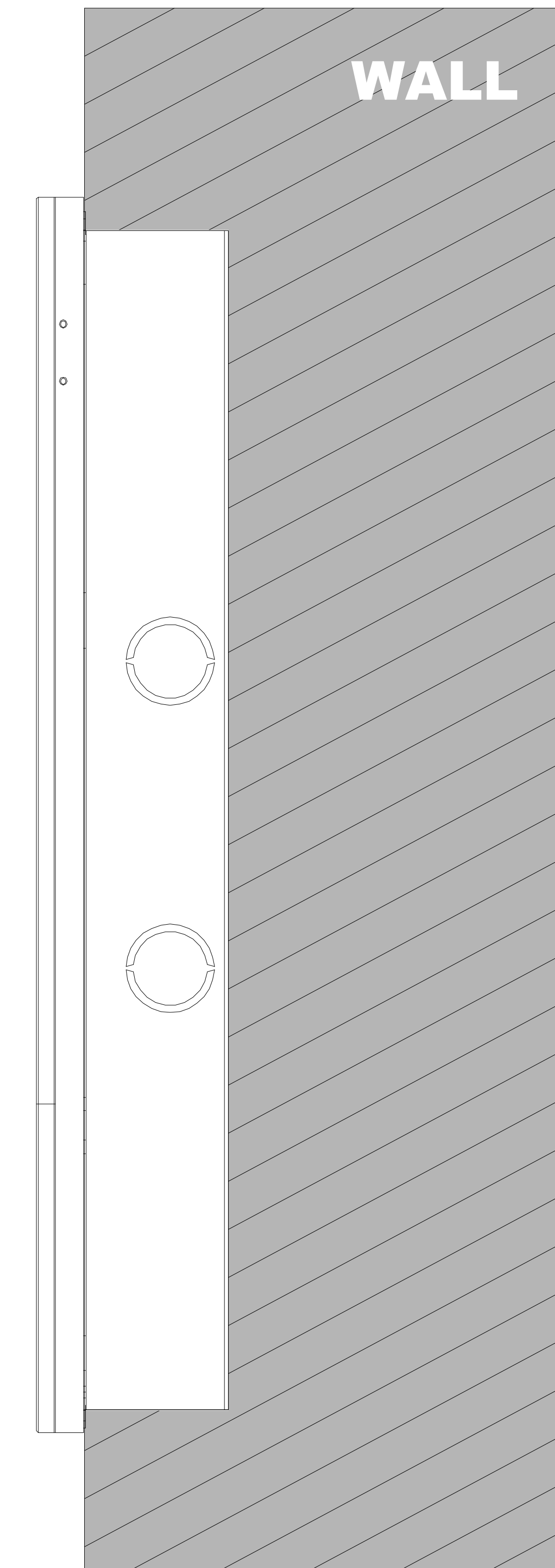


② FRONT VIEW: FLUSHING MOUNTING BOX PLACEMENT

1167.7mm TO BOTTOM OF BRACKET

1207.7mm TO SCREW HOLE CENTER OF BRACKET

GROUND



③ SIDE VIEW: INTERCOM ON WALL

Applicable Model

X915

Drawing Title

Intercom Panel

Drawing Unit

mm

Drawing Scale

Not to scale

**DRAFT
SUBJECT TO
CHANGE**

Last Revised

Sept. 28, 2021

Drawing Version

V1.1

Page

5 of 9