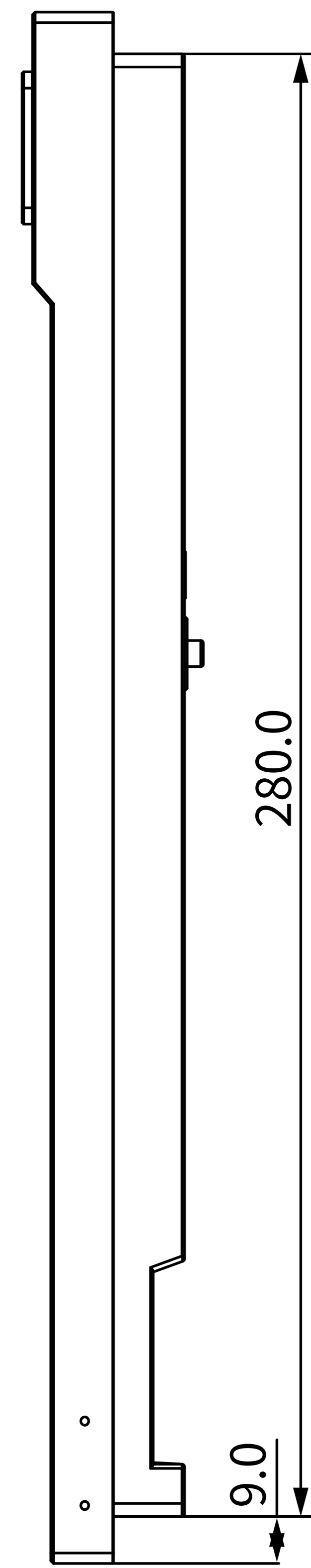
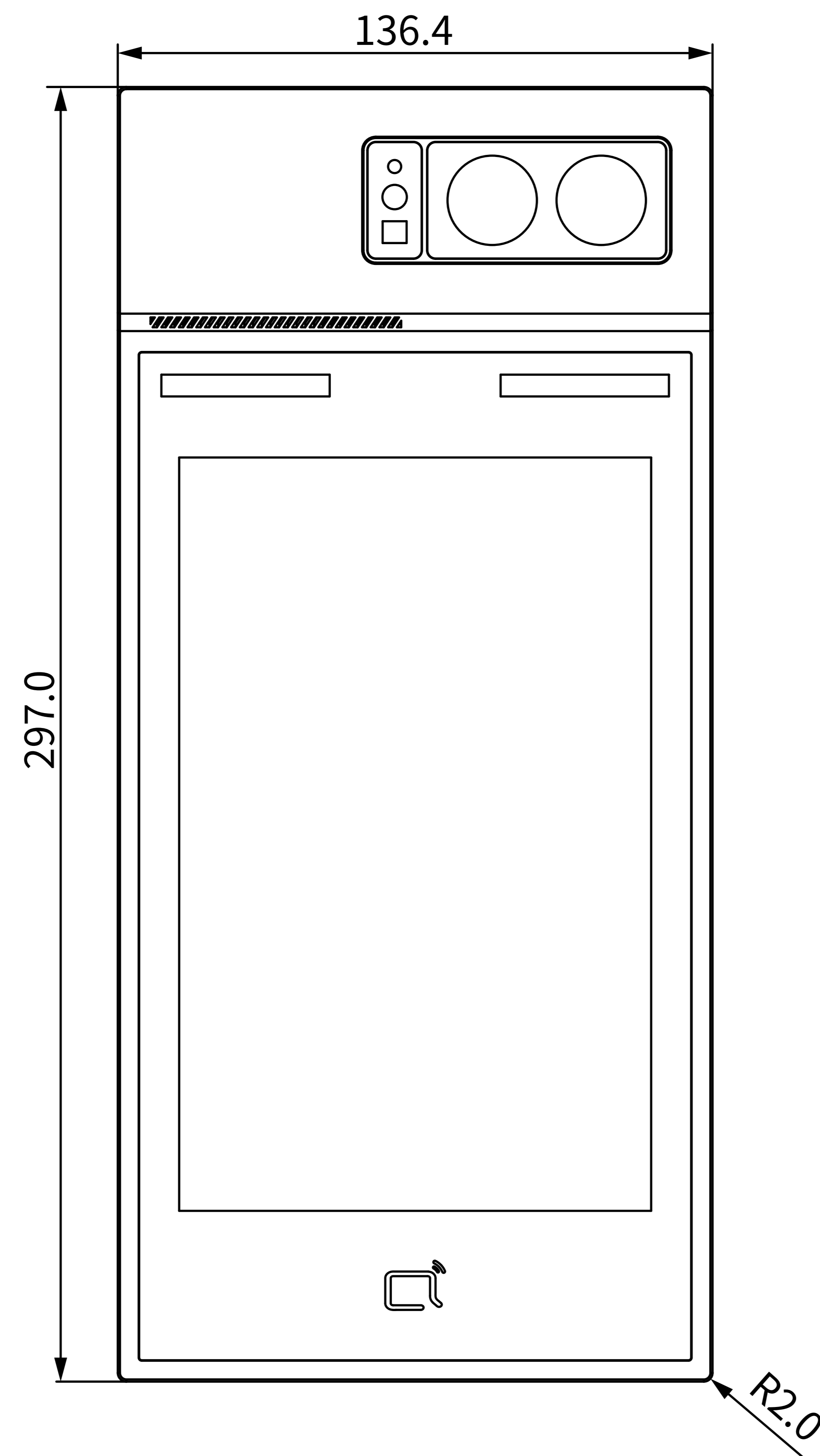


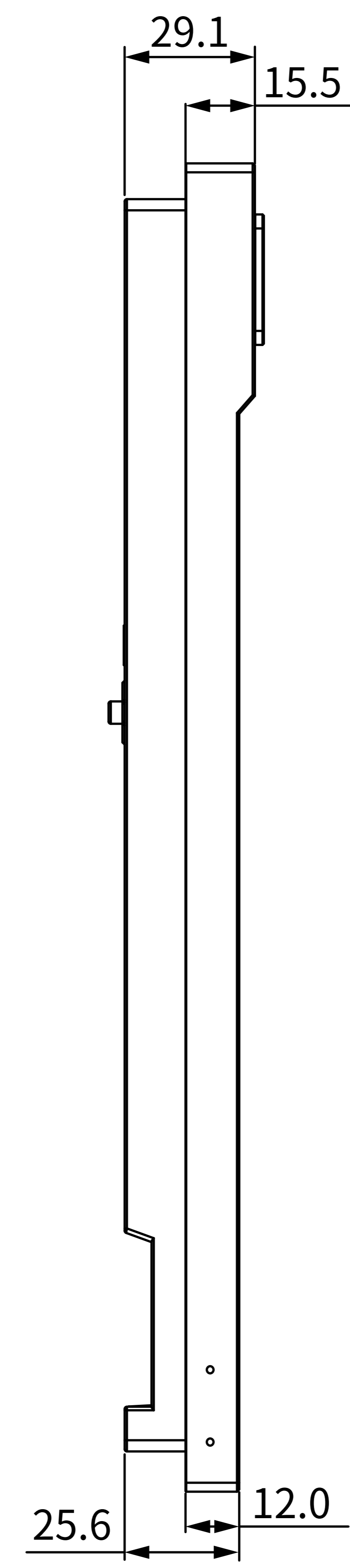
⑥ BOTTOM VIEW



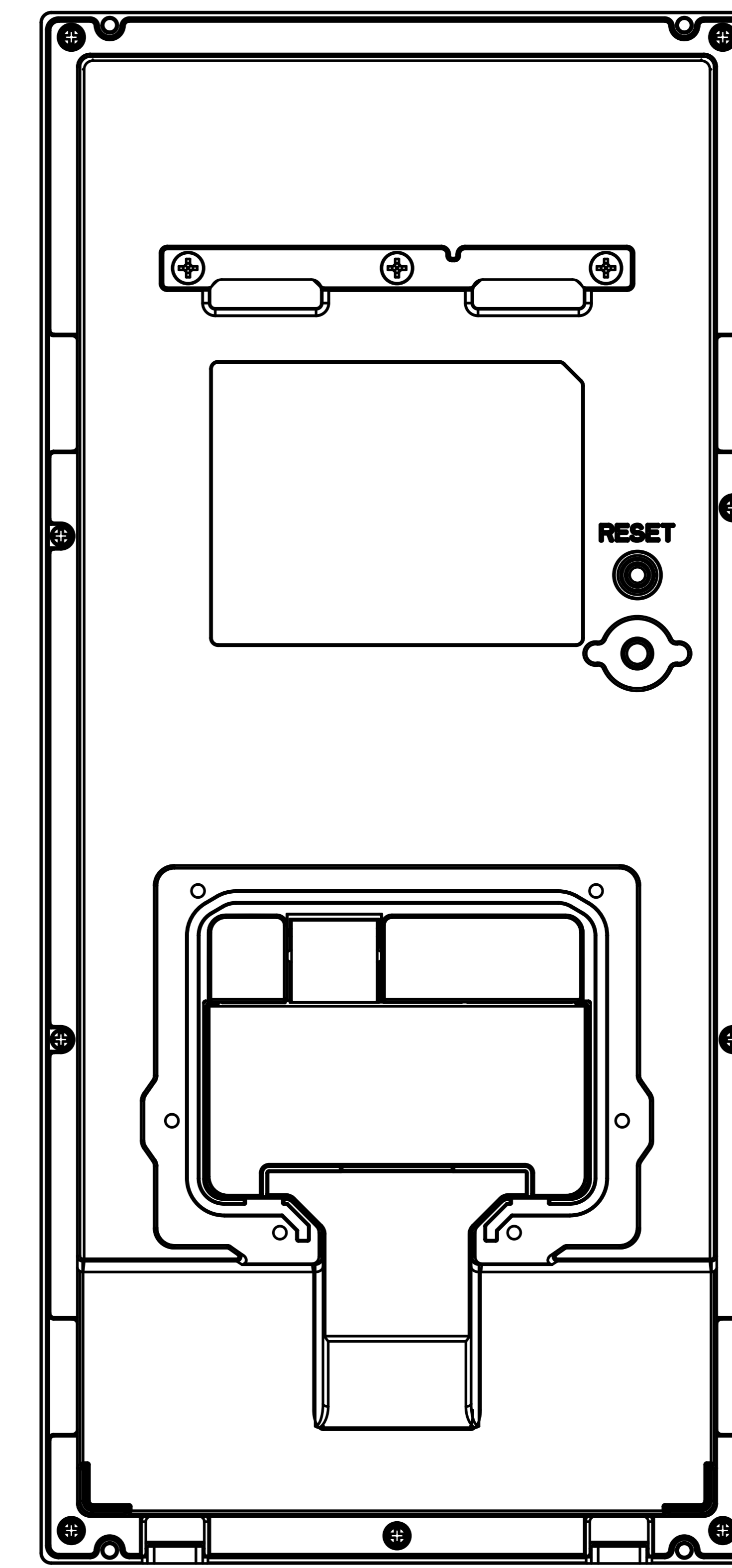
② RIGHT VIEW



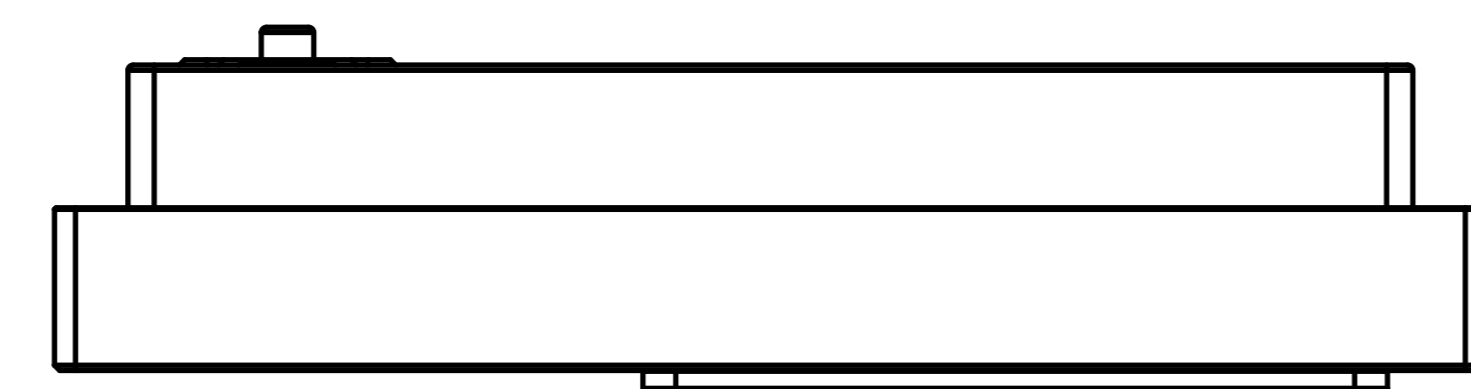
① FRONT VIEW



③ LEFT VIEW



④ BACK VIEW



⑤ TOP VIEW

**Applicable Model**  
S538

**Drawing Title**  
Wall Mounting  
Box

**Drawing Unit**  
mm

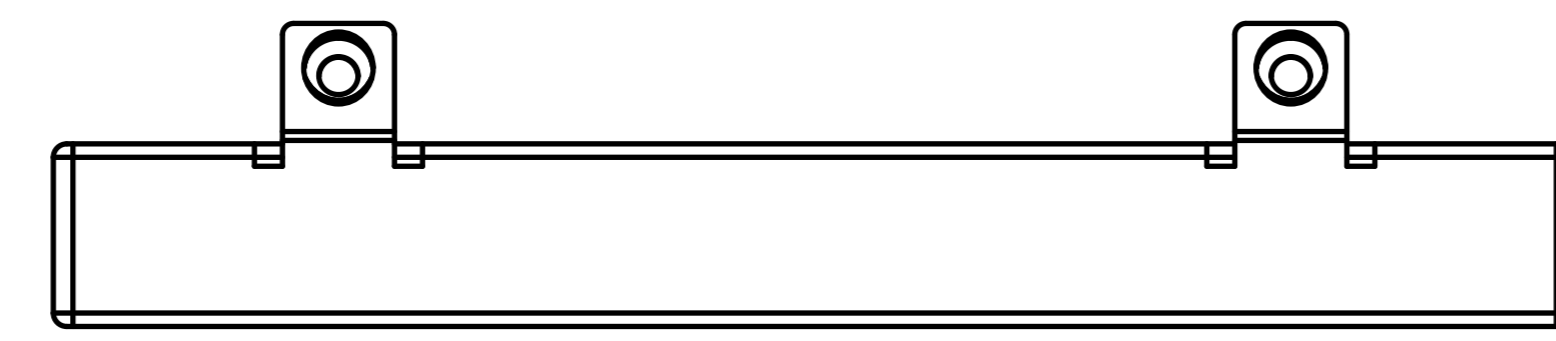
**Drawing Scale**  
Not to scale

**DRAFT**  
SUBJECT TO  
CHANGE

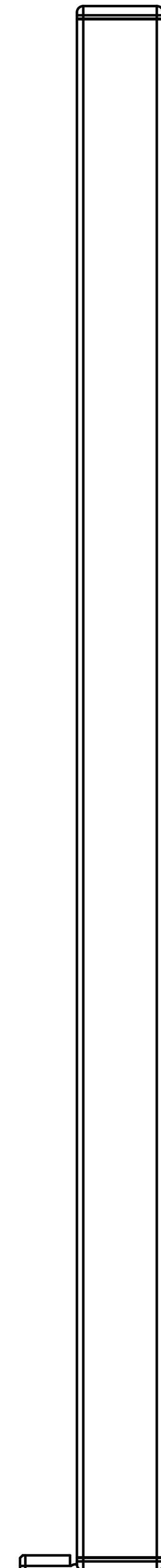
**Last Revised**  
Mar 13, 2026

**Drawing Version**  
V1.0

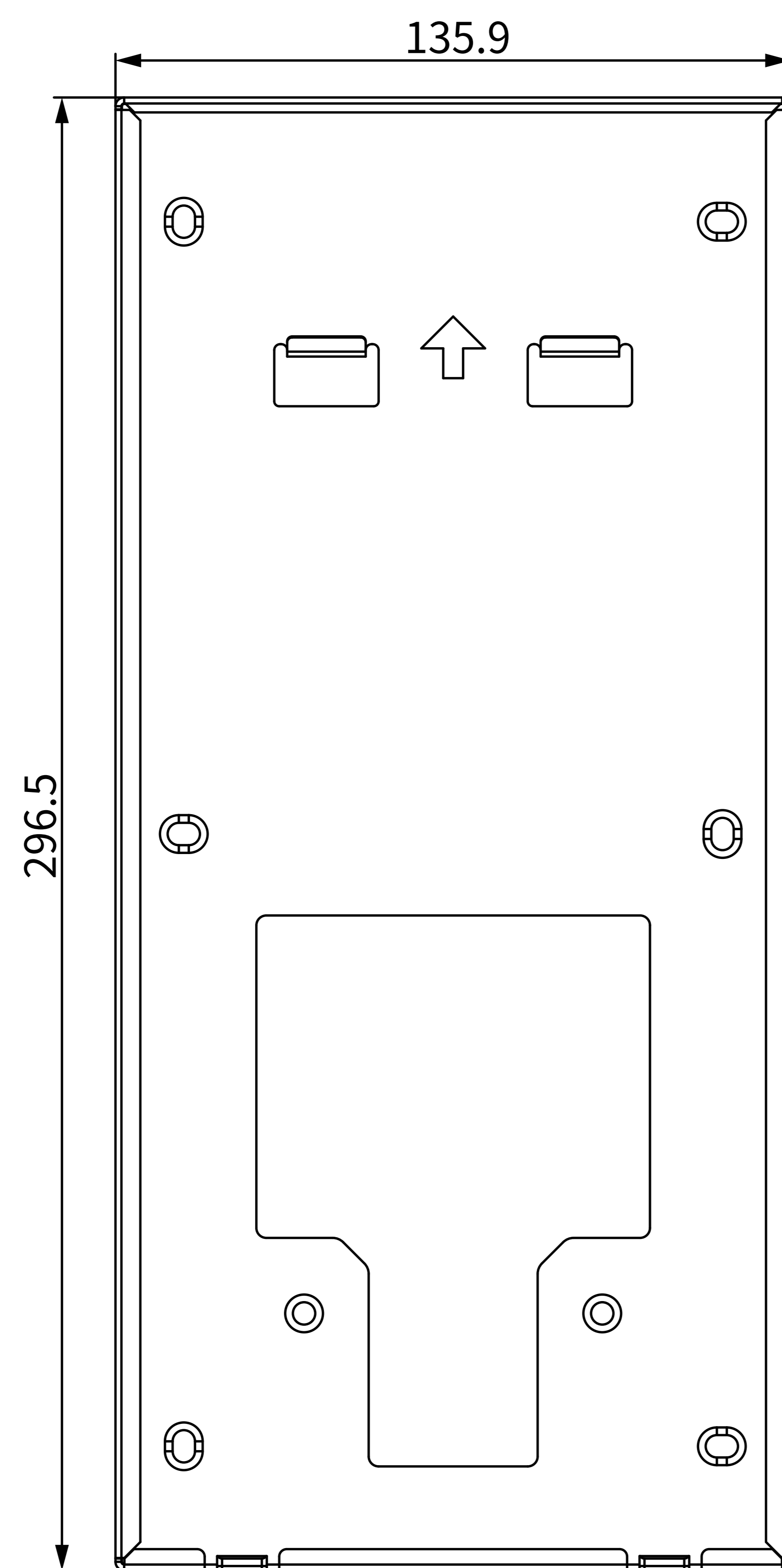
**Page**  
2 of 10



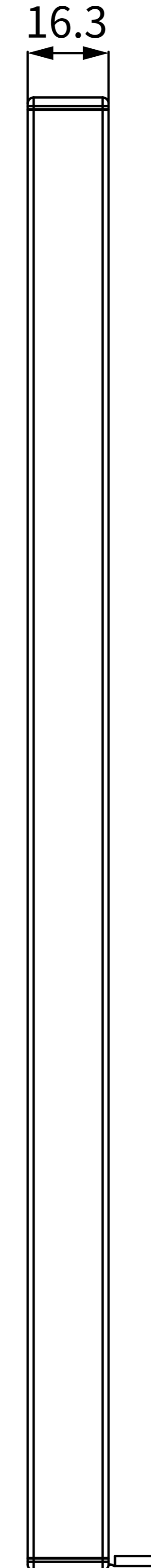
⑥ **BOTTOM VIEW**



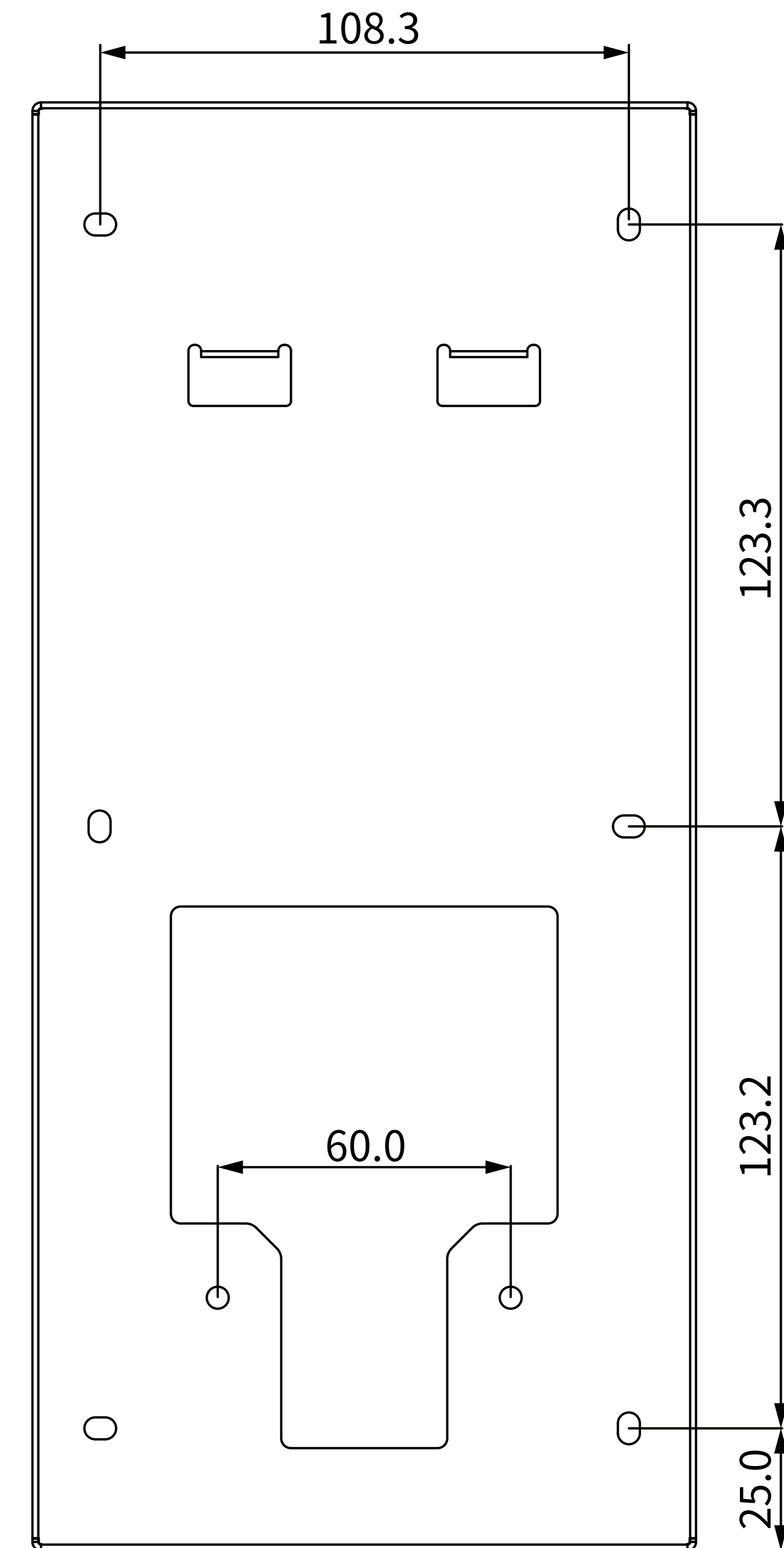
② **RIGHT VIEW**



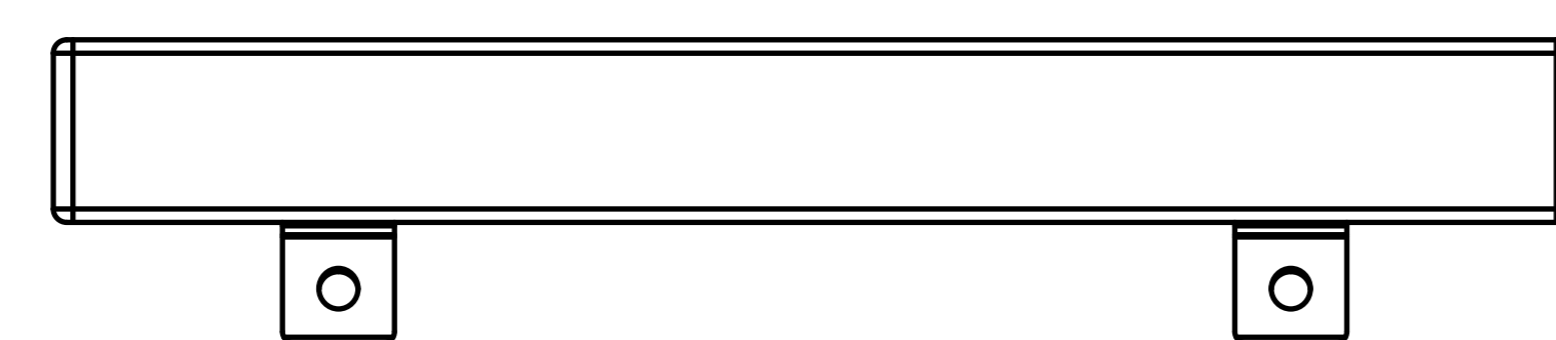
① **FRONT VIEW**



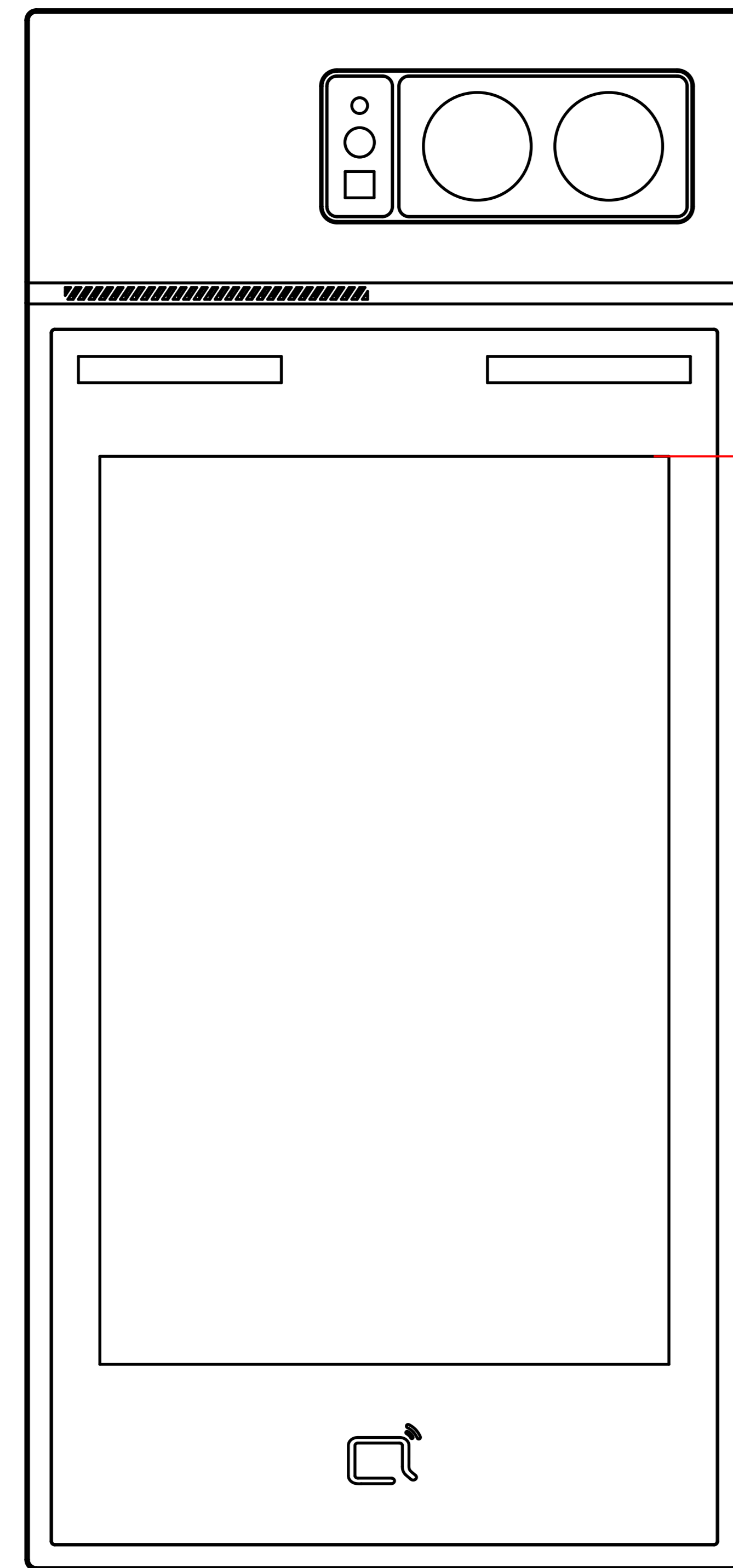
③ **LEFT VIEW**



④ **BACK VIEW**



⑤ **TOP VIEW**



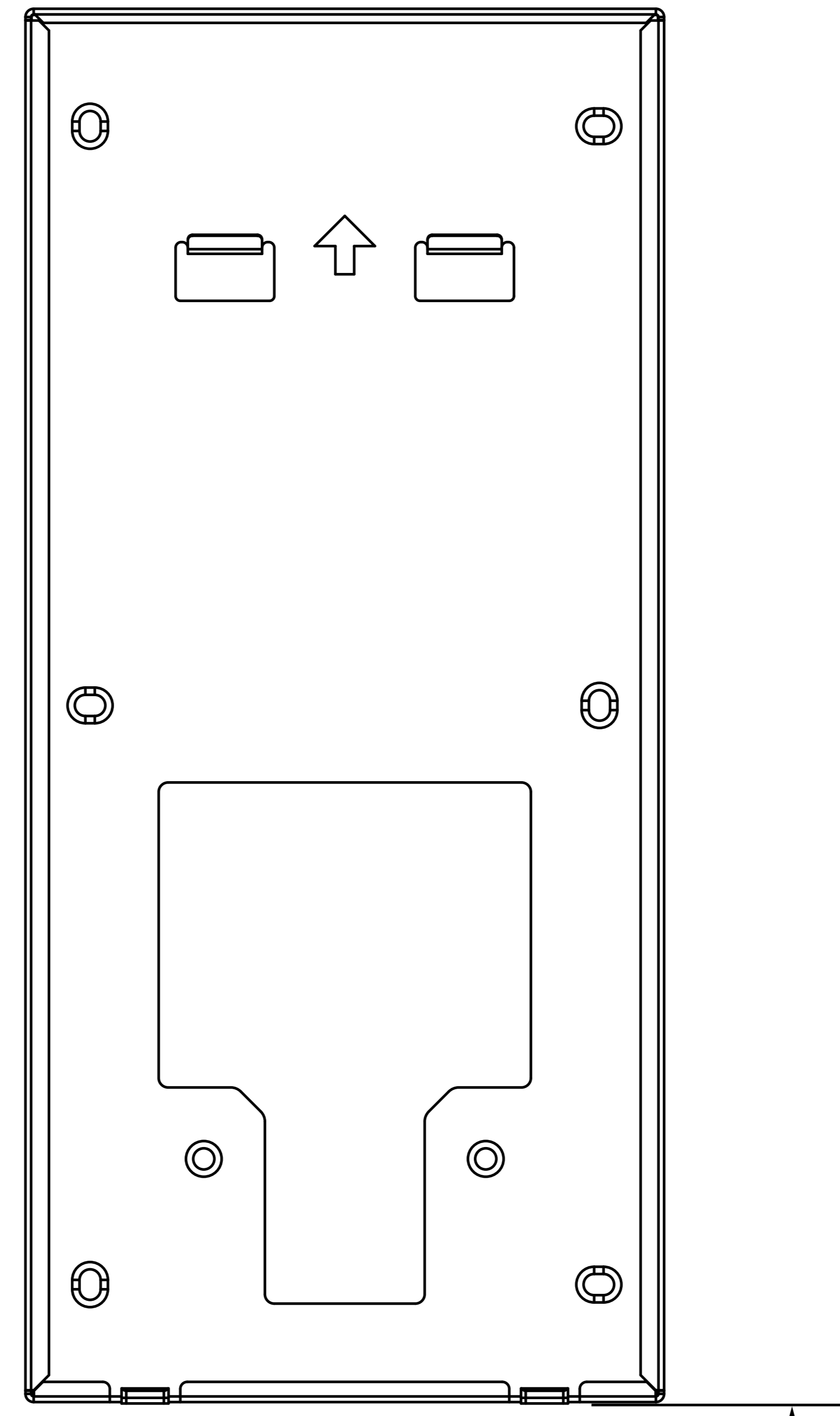
① INTERCOM PANEL FRONT VIEW

1007.2mm TO BOTTOM OF PANEL

1219.2mm TO TOP OF USABLE PARTS

ADA Compliance Requirement

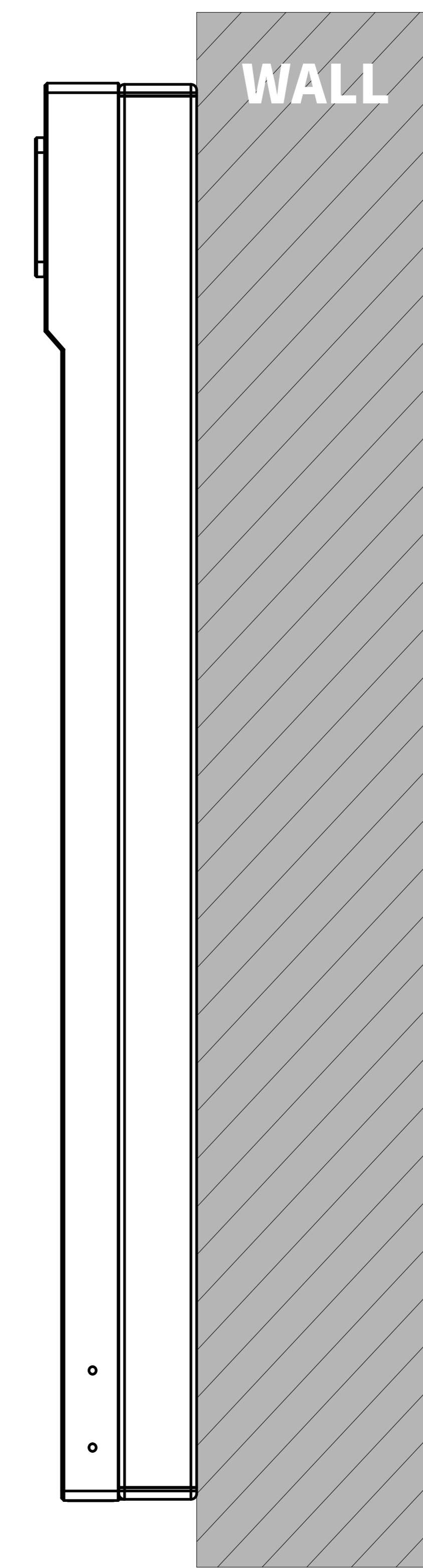
GROUND



② FRONT VIEW:WALL MOUNTING BOX PLACEMENT

1007.5mm TO BOTTOM OF BRACKET

GROUND



③ SIDE VIEW:INTERCOM ON WALL

WALL

**Applicable Model**  
S538

**Drawing Title**  
Flushing Mounting Bracket

**Drawing Unit**  
mm

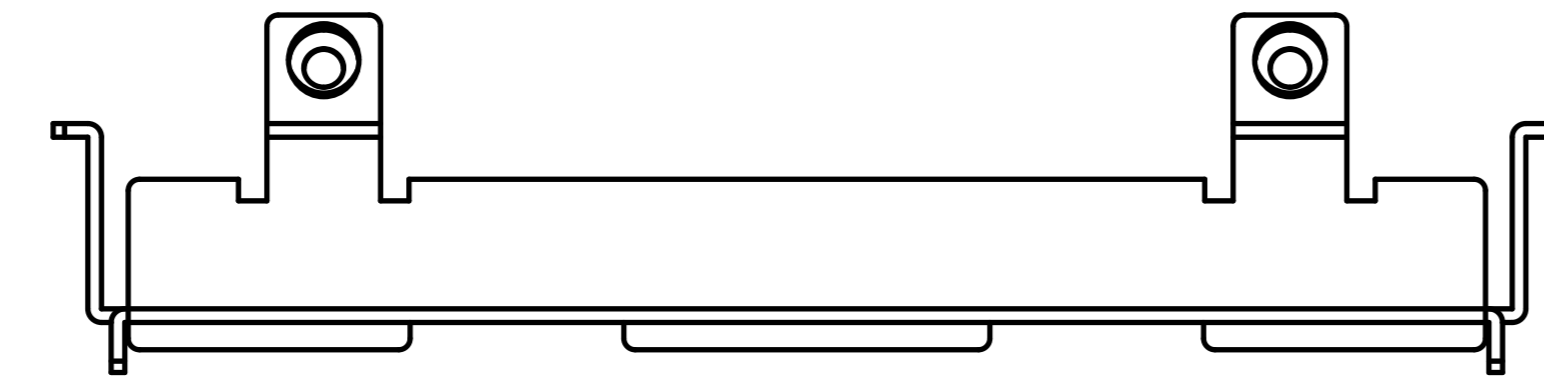
**Drawing Scale**  
Not to scale

**DRAFT**  
SUBJECT TO  
CHANGE

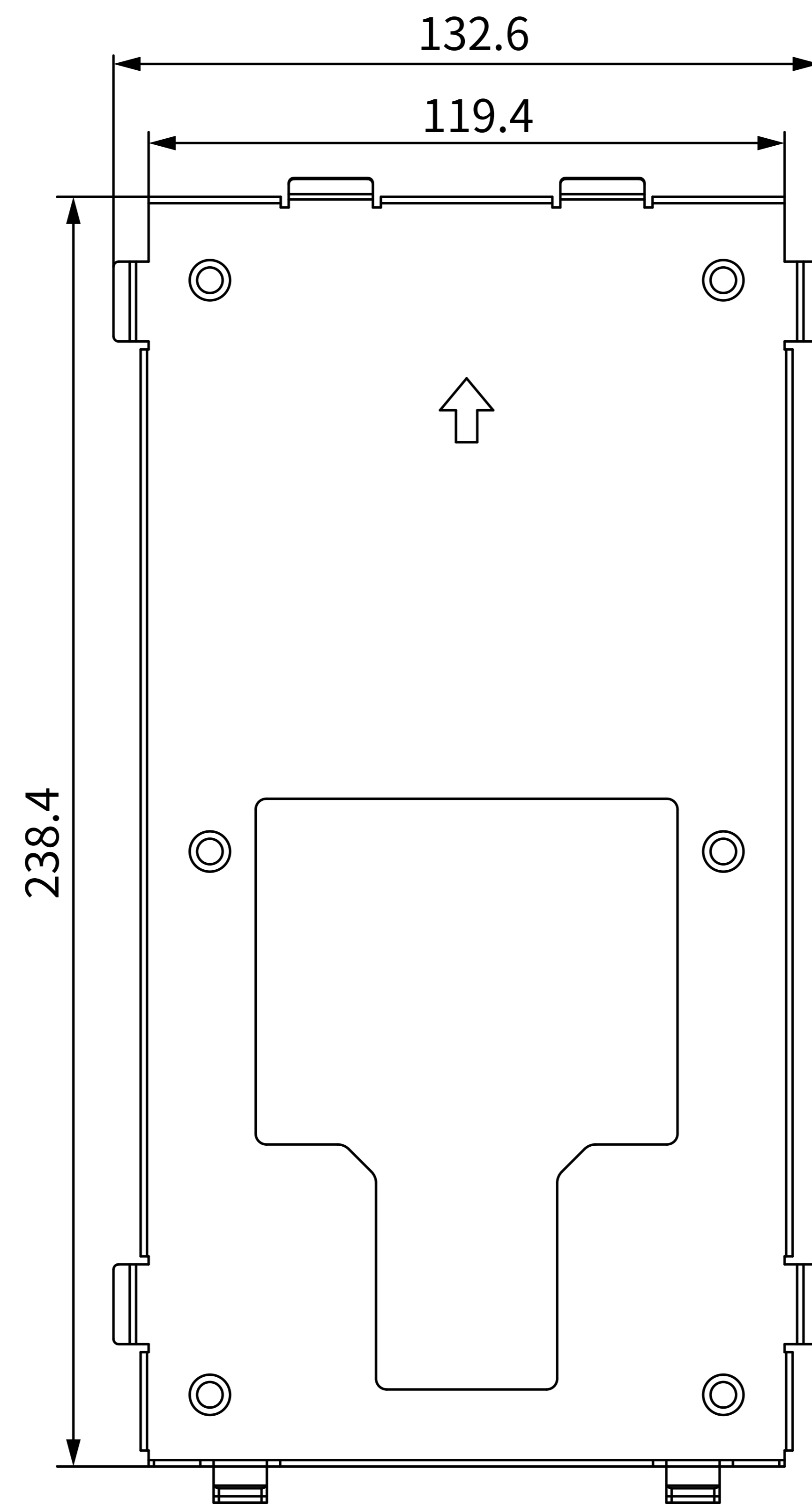
**Last Revised**  
Mar 13, 2026

**Drawing Version**  
V1.0

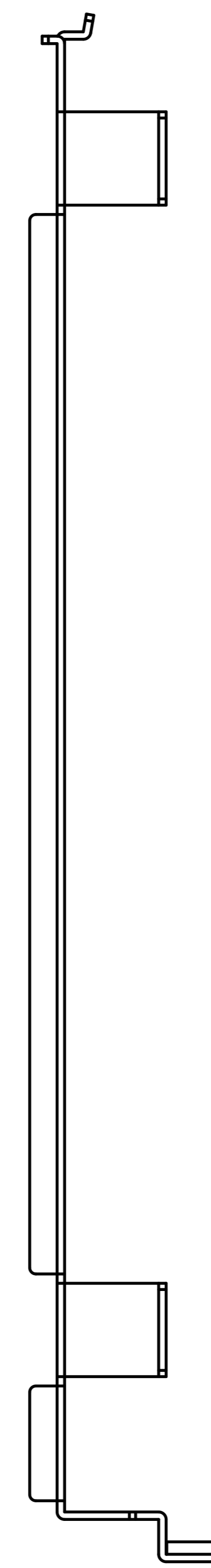
**Page**  
4 of 10



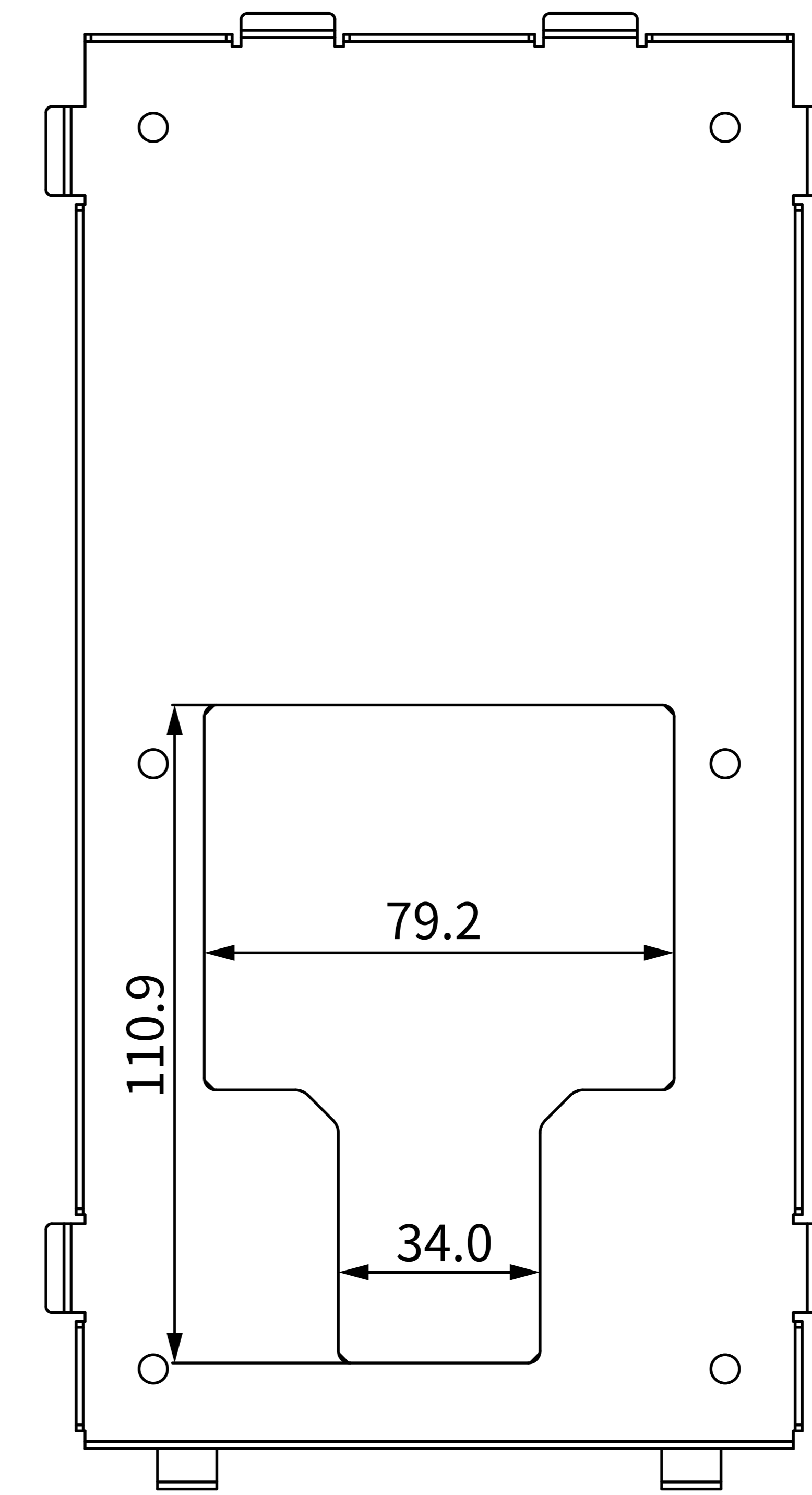
⑥ BOTTOM VIEW



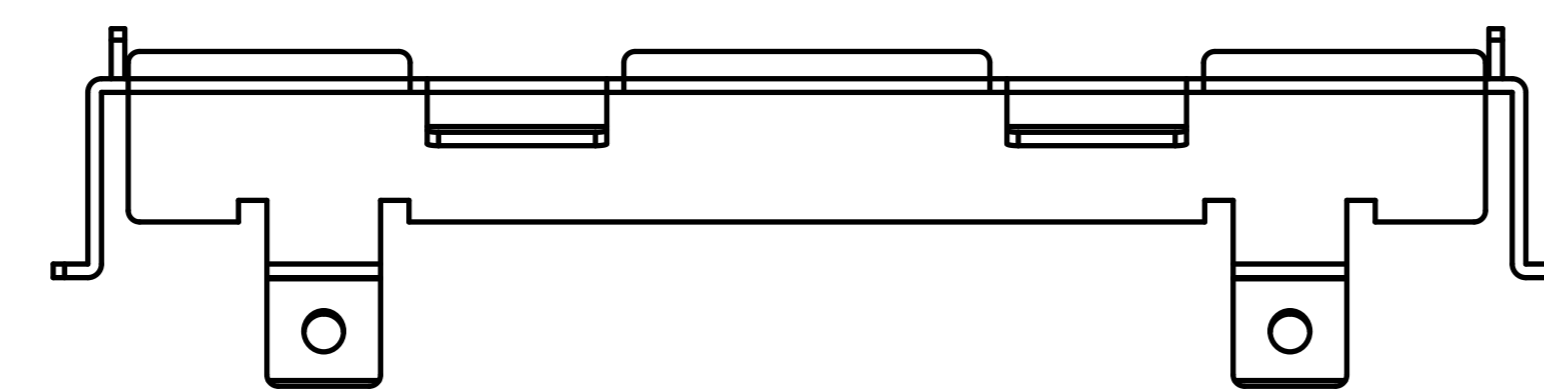
① FRONT VIEW



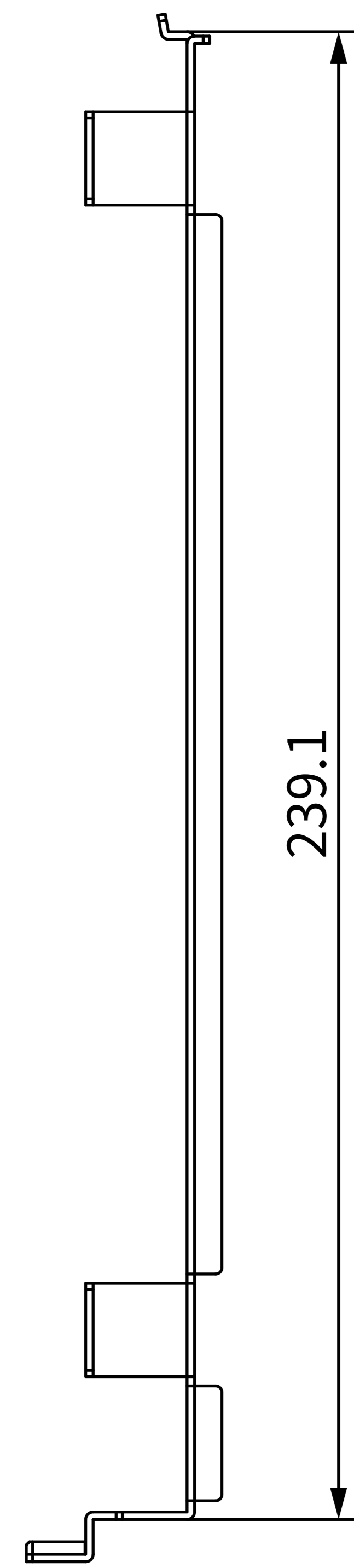
③ LEFT VIEW



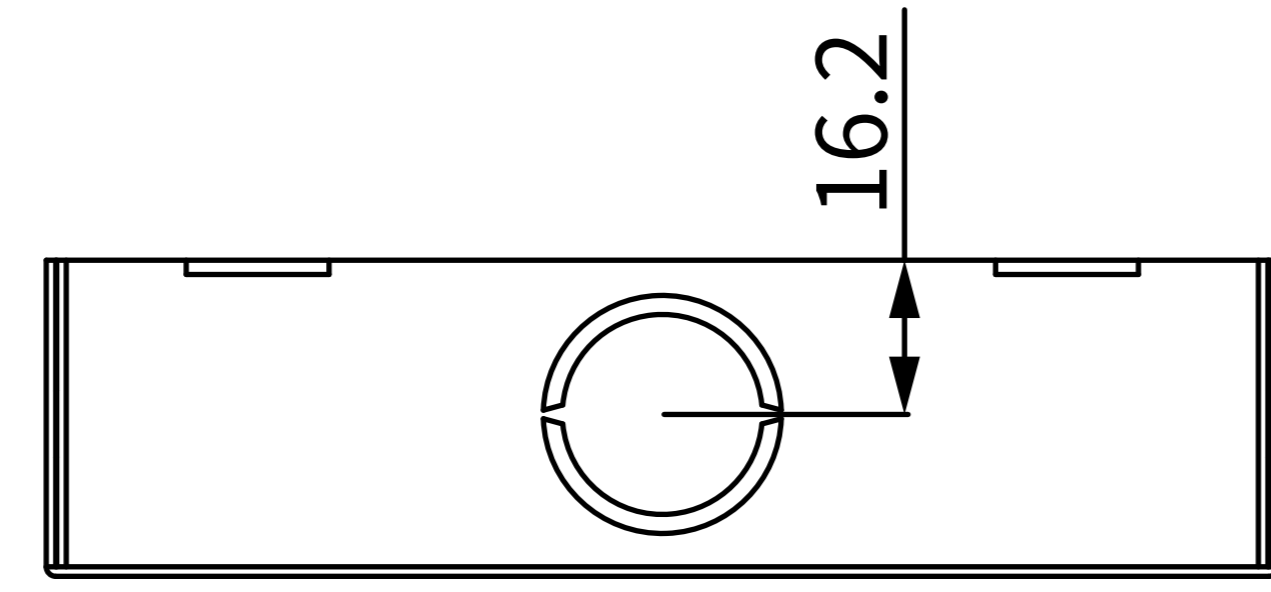
④ BACK VIEW



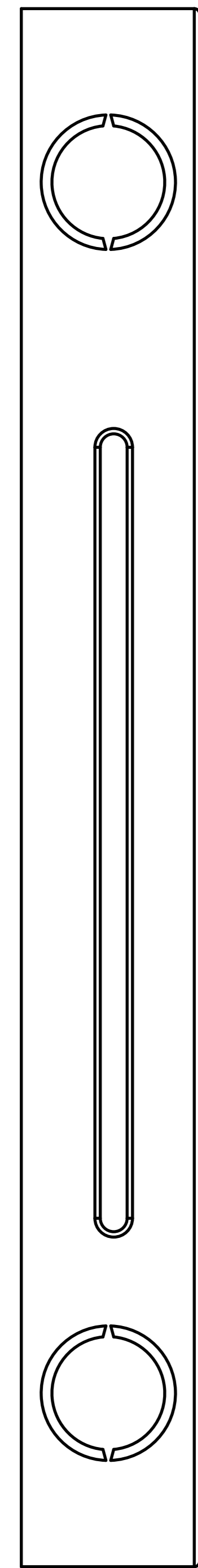
⑤ TOP VIEW



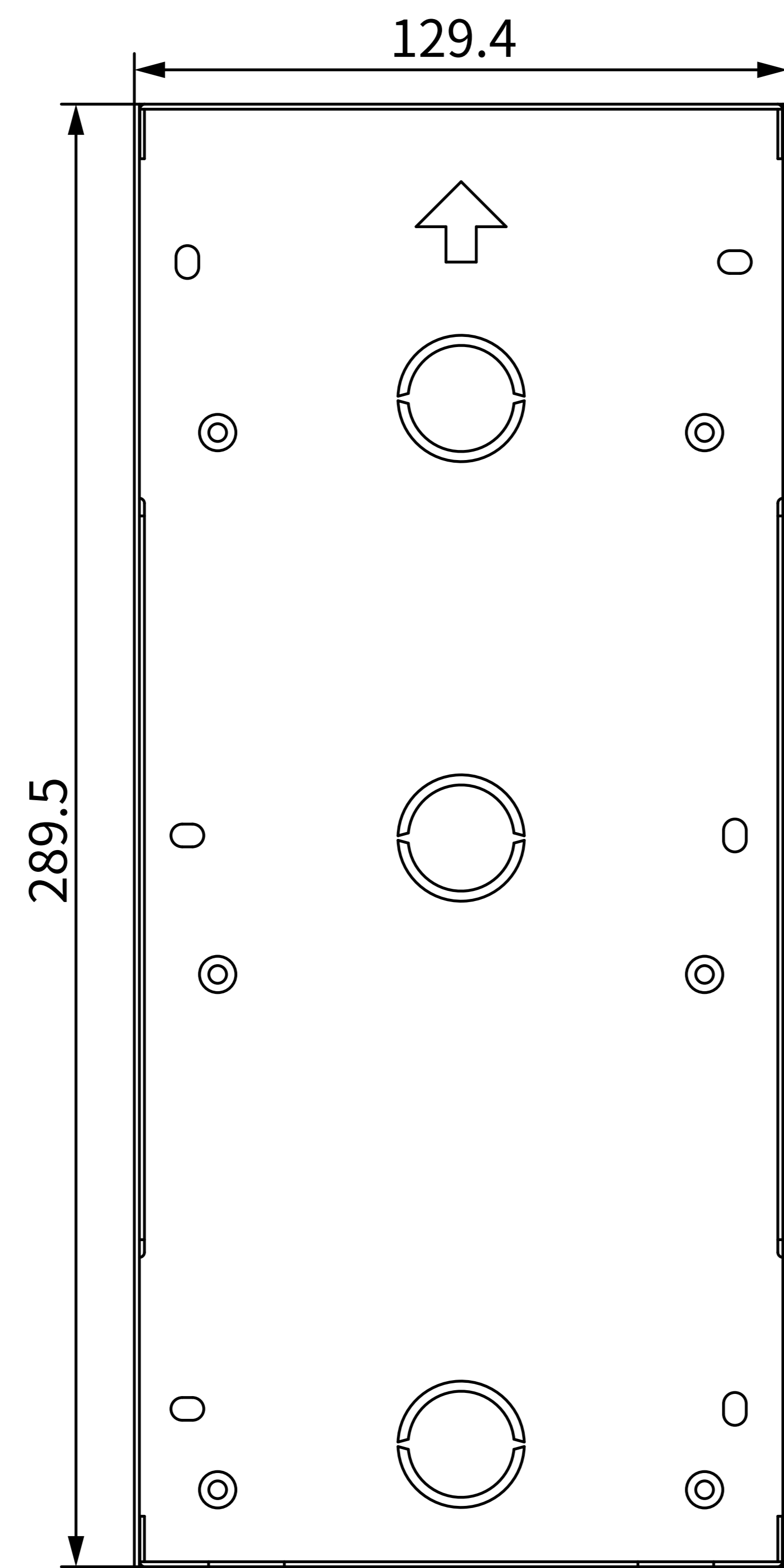
② RIGHT VIEW



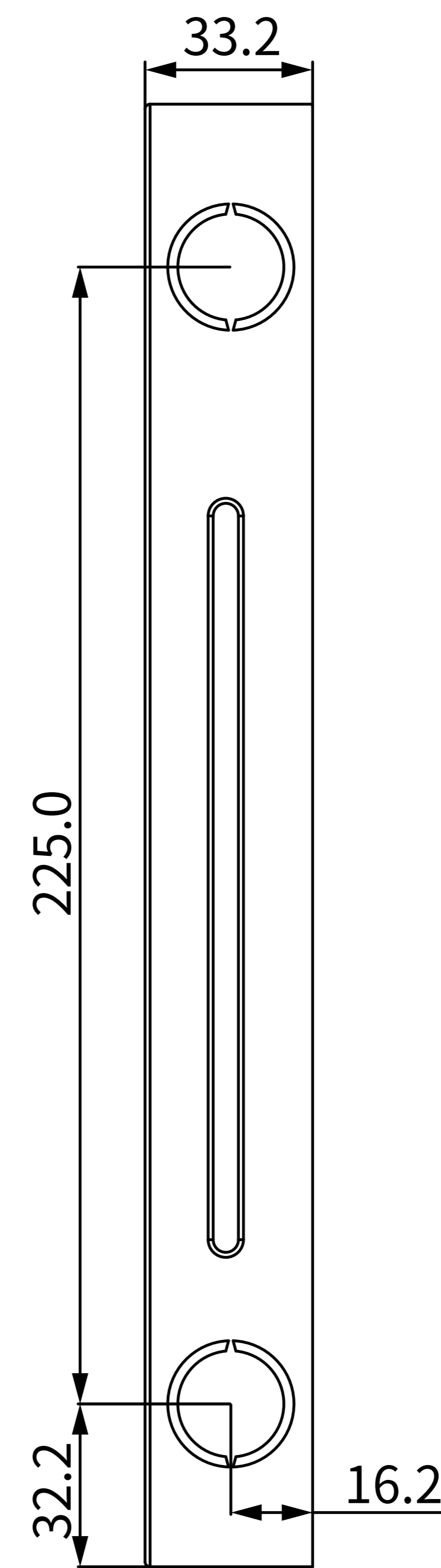
⑥ **BOTTOM VIEW**



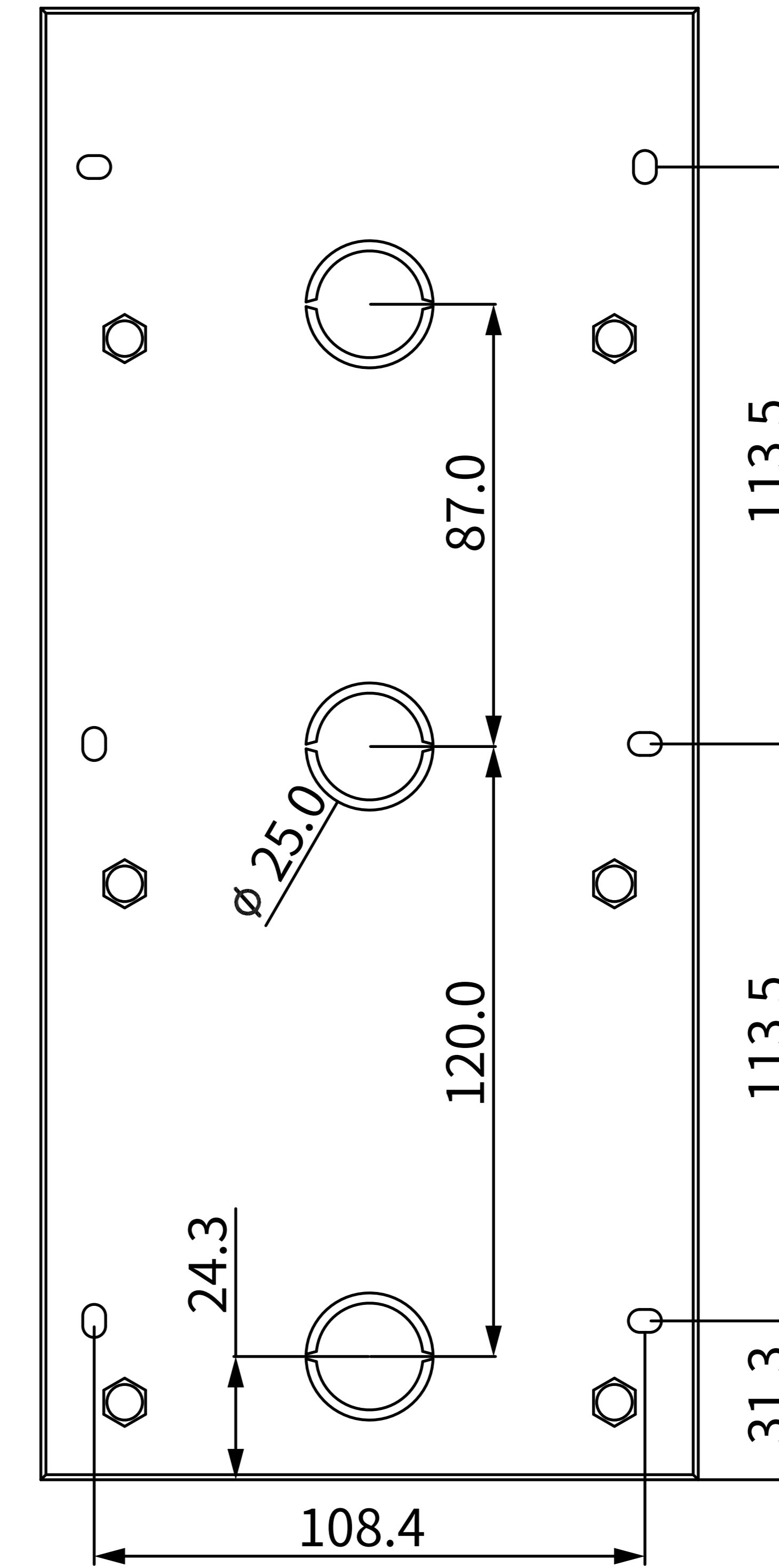
② **RIGHT VIEW**



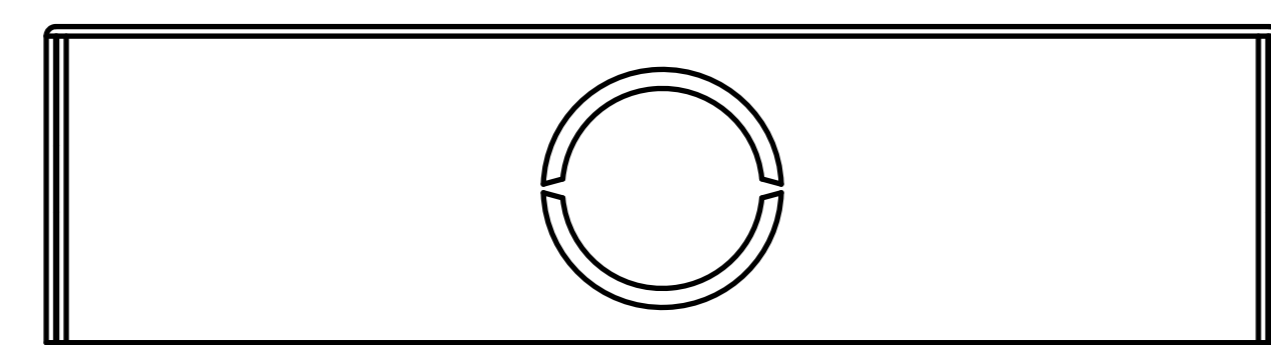
① **FRONT VIEW**



③ **LEFT VIEW**



④ **BACK VIEW**



⑤ **TOP VIEW**

**Applicable Model**  
S538

**Drawing Title**  
Placement

**Drawing Unit**  
mm

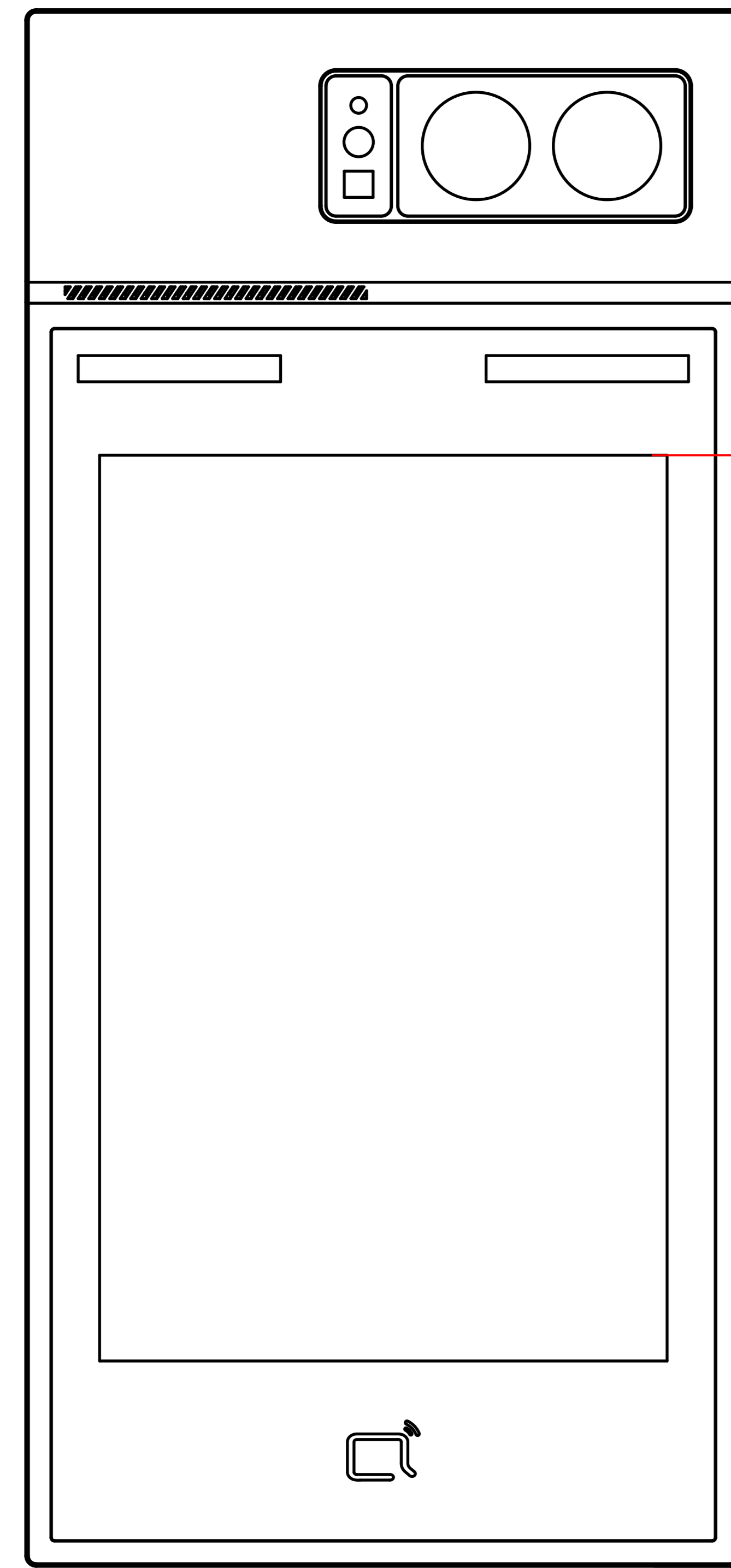
**Drawing Scale**  
Not to scale

**DRAFT**  
SUBJECT TO  
CHANGE

**Last Revised**  
Mar 13, 2026

**Drawing Version**  
V1.0

**Page**  
6 of 10

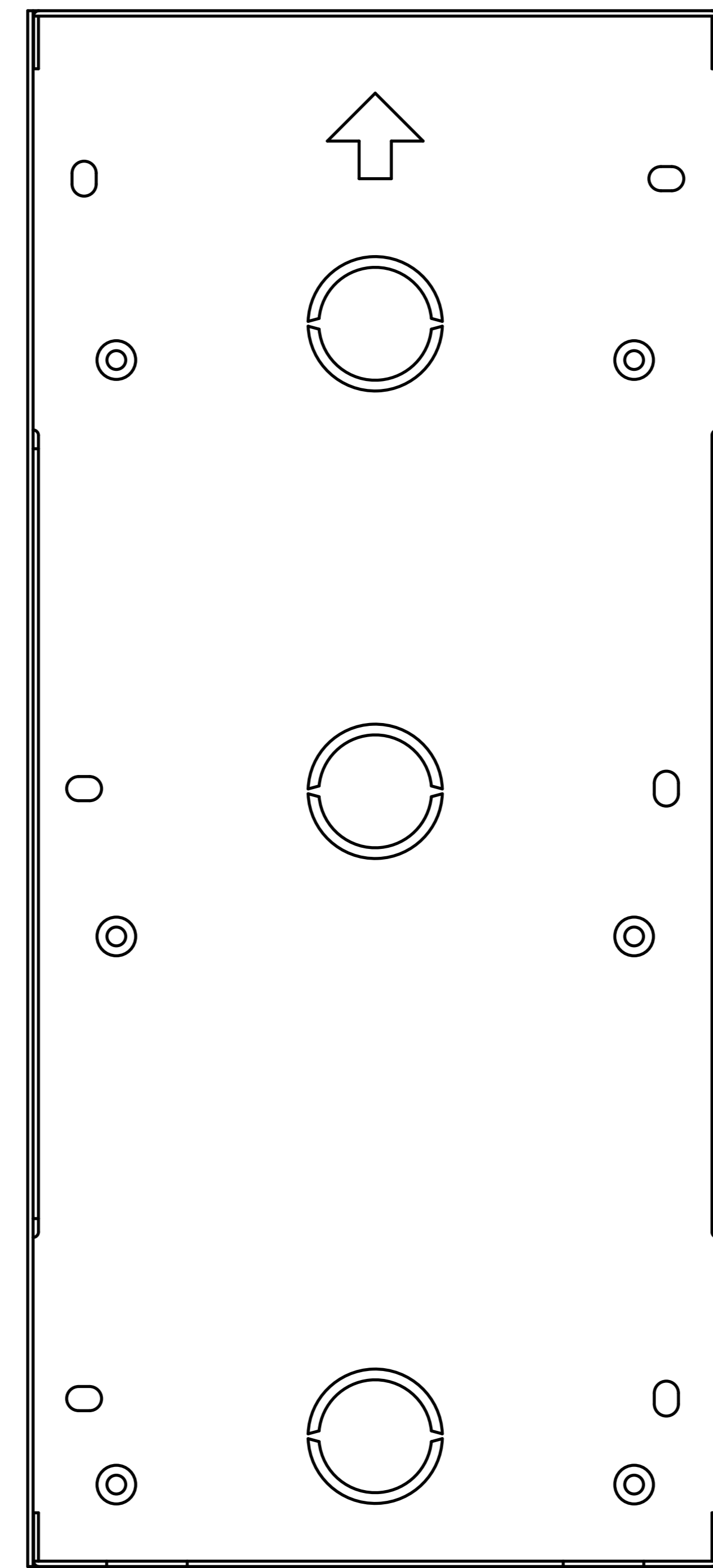


1007.2mm TO BOTTOM OF PANEL

1219.2mm TO TOP OF USABLE PARTS

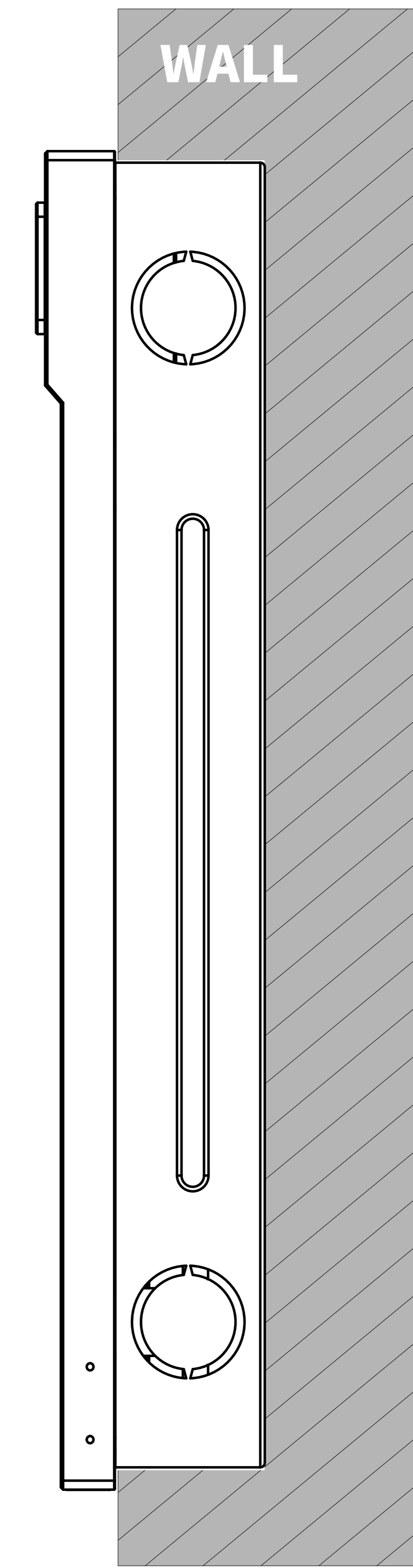
ADA Compliance Requirement

GROUND



1012.1mm TO BOTTOM OF BRACKET

GROUND



WALL

**Applicable Model**  
S538

**Drawing Title**  
On-Wall Mounting  
Rain Cover

**Drawing Unit**  
mm

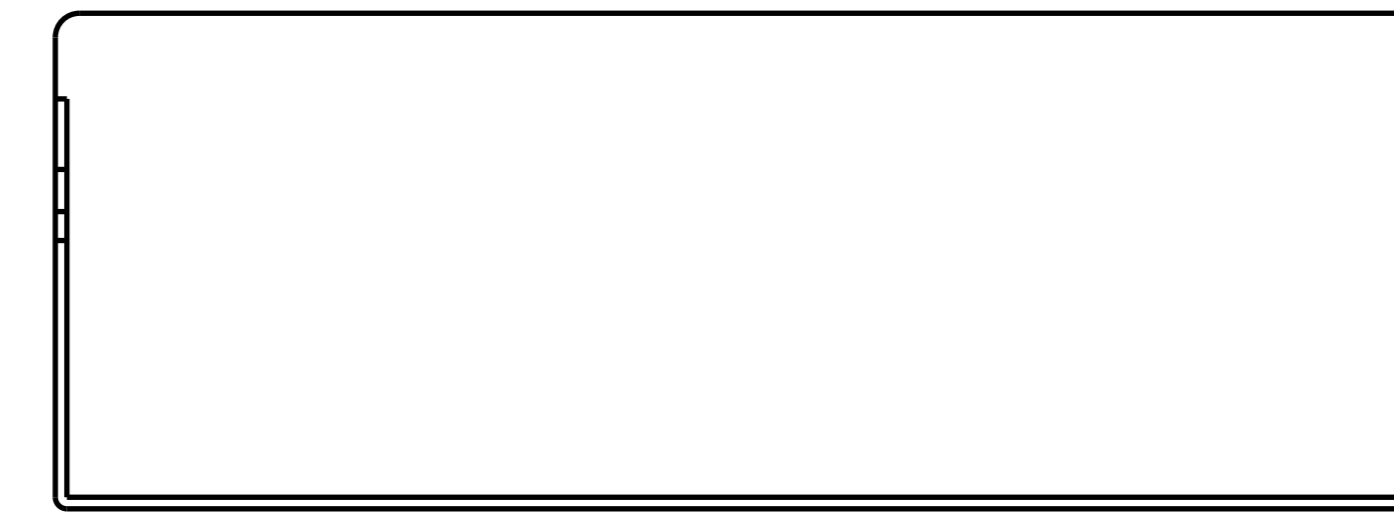
**Drawing Scale**  
Not to scale

**DRAFT**  
**SUBJECT TO**  
**CHANGE**

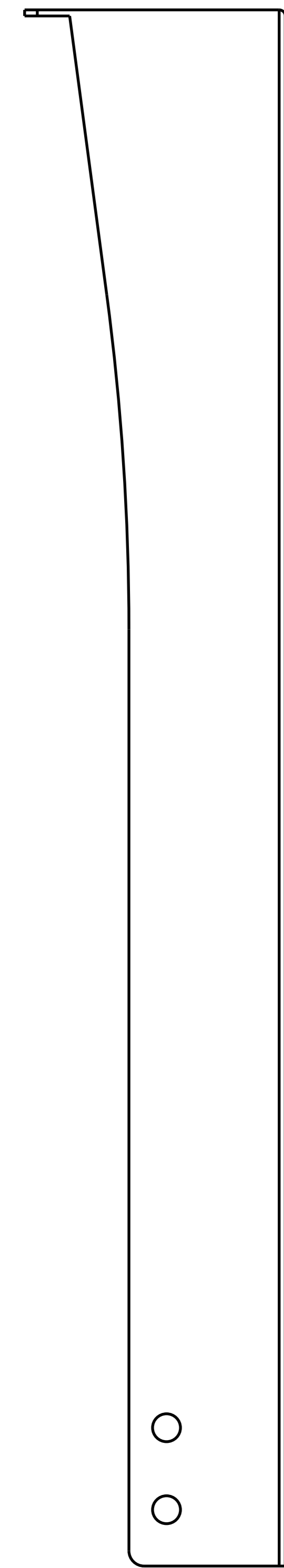
**Last Revised**  
Apr 23, 2026

**Drawing Version**  
V1.0

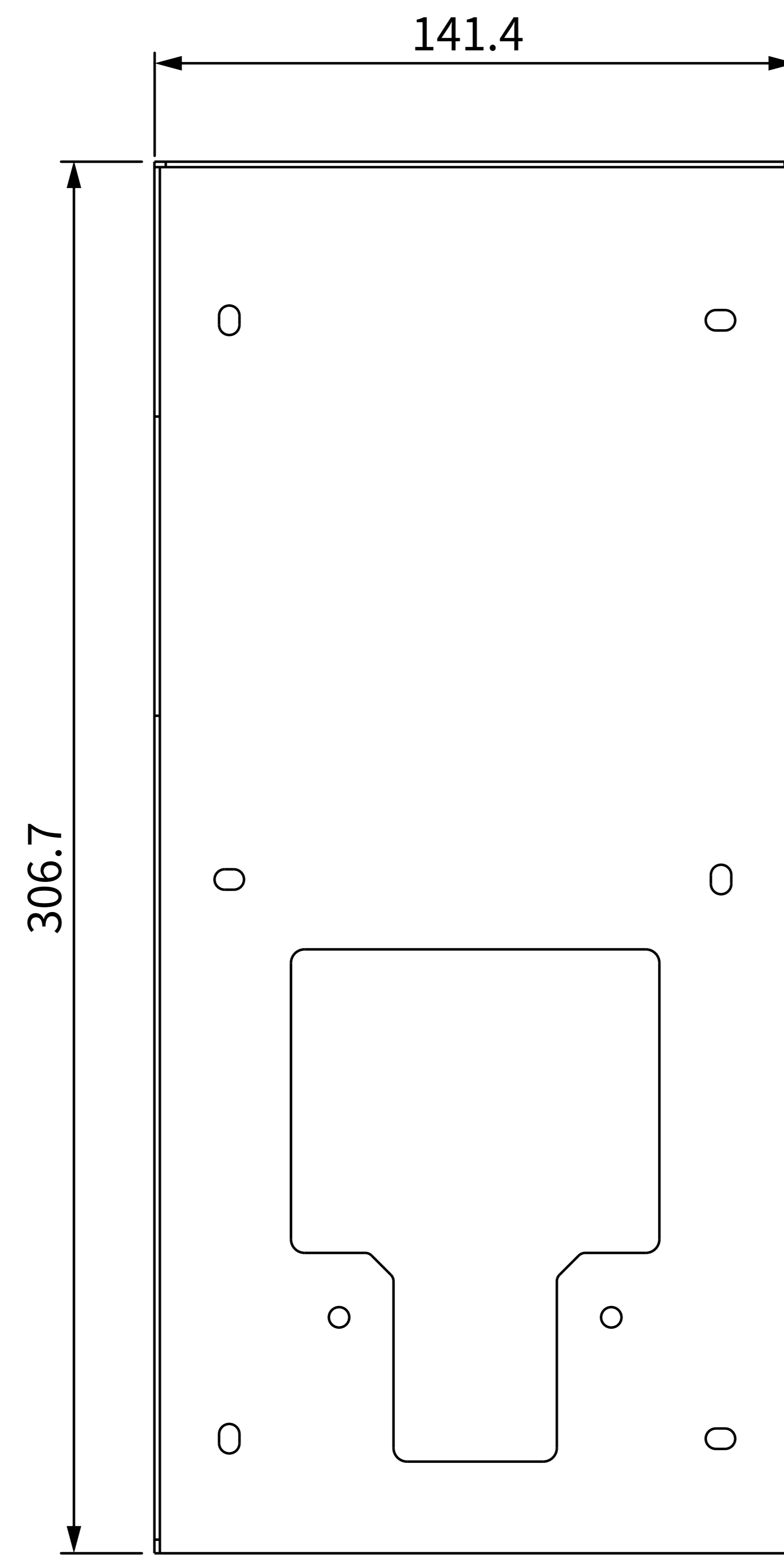
**Page**  
7 of 10



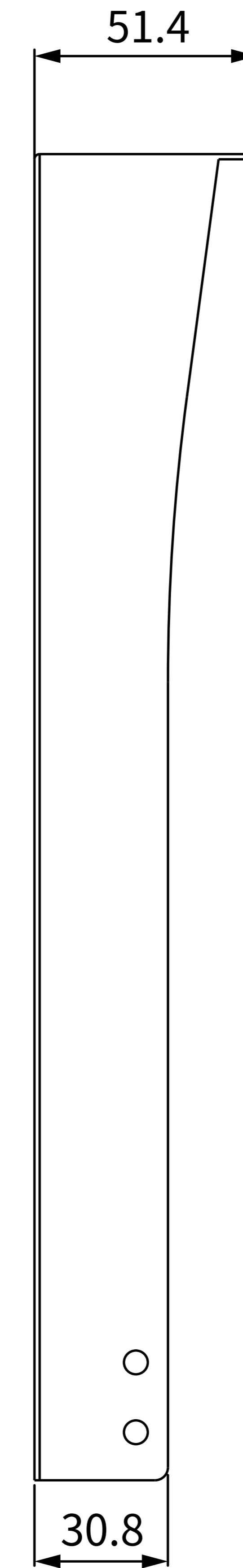
⑥ **BOTTOM VIEW**



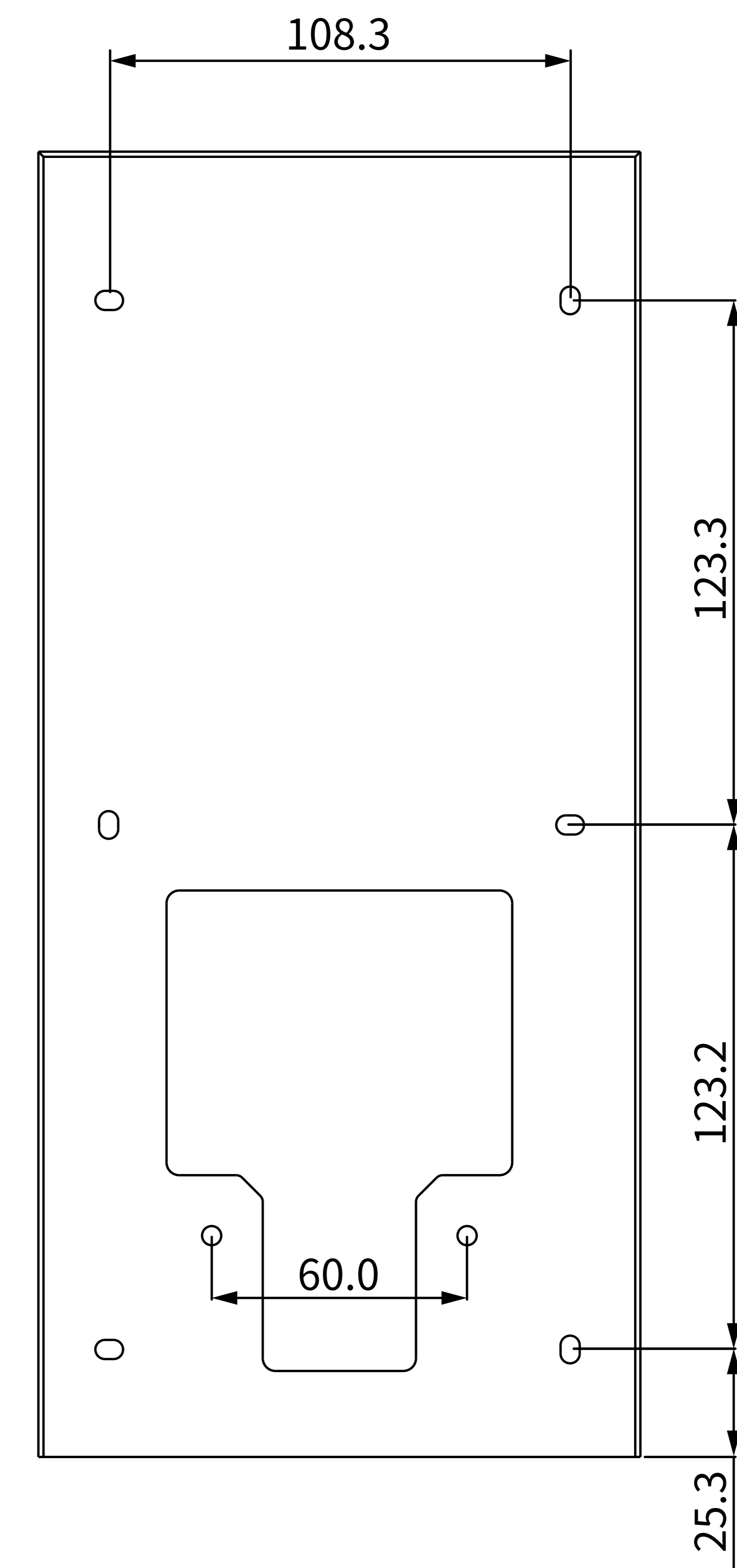
② **RIGHT VIEW**



① **FRONT VIEW**



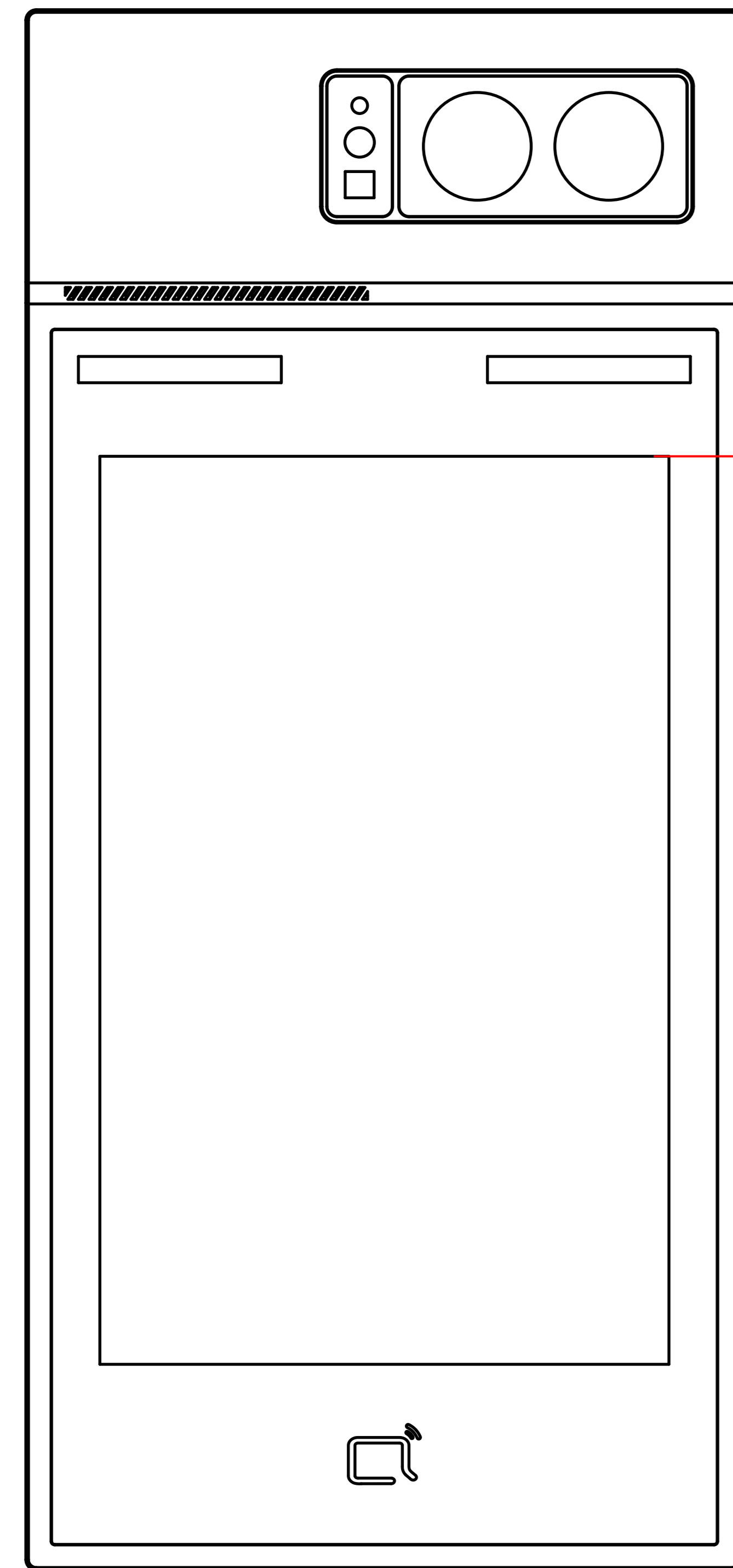
③ **LEFT VIEW**



④ **BACK VIEW**



⑤ **TOP VIEW**

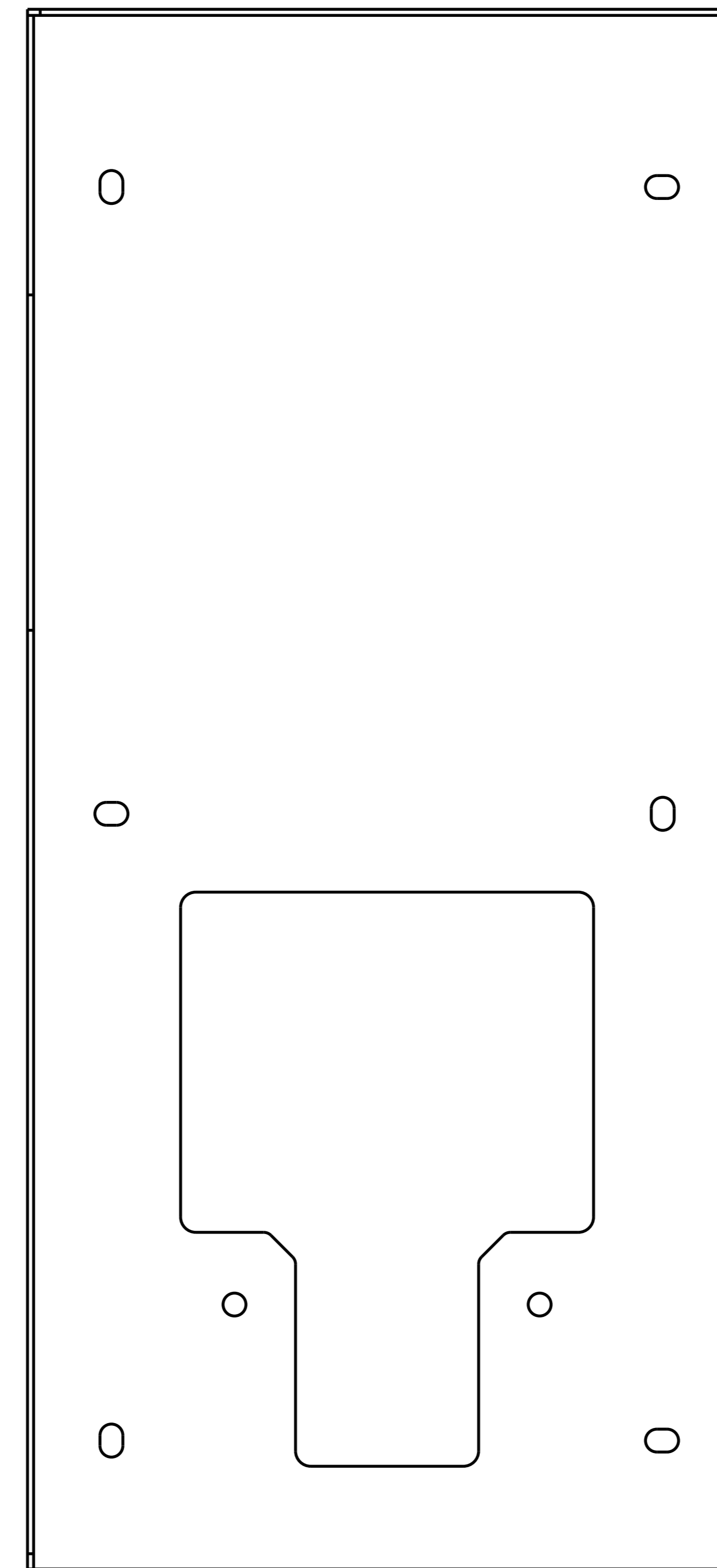


1007.2mm TO BOTTOM OF PANEL

1219.2mm TO TOP OF USABLE PARTS

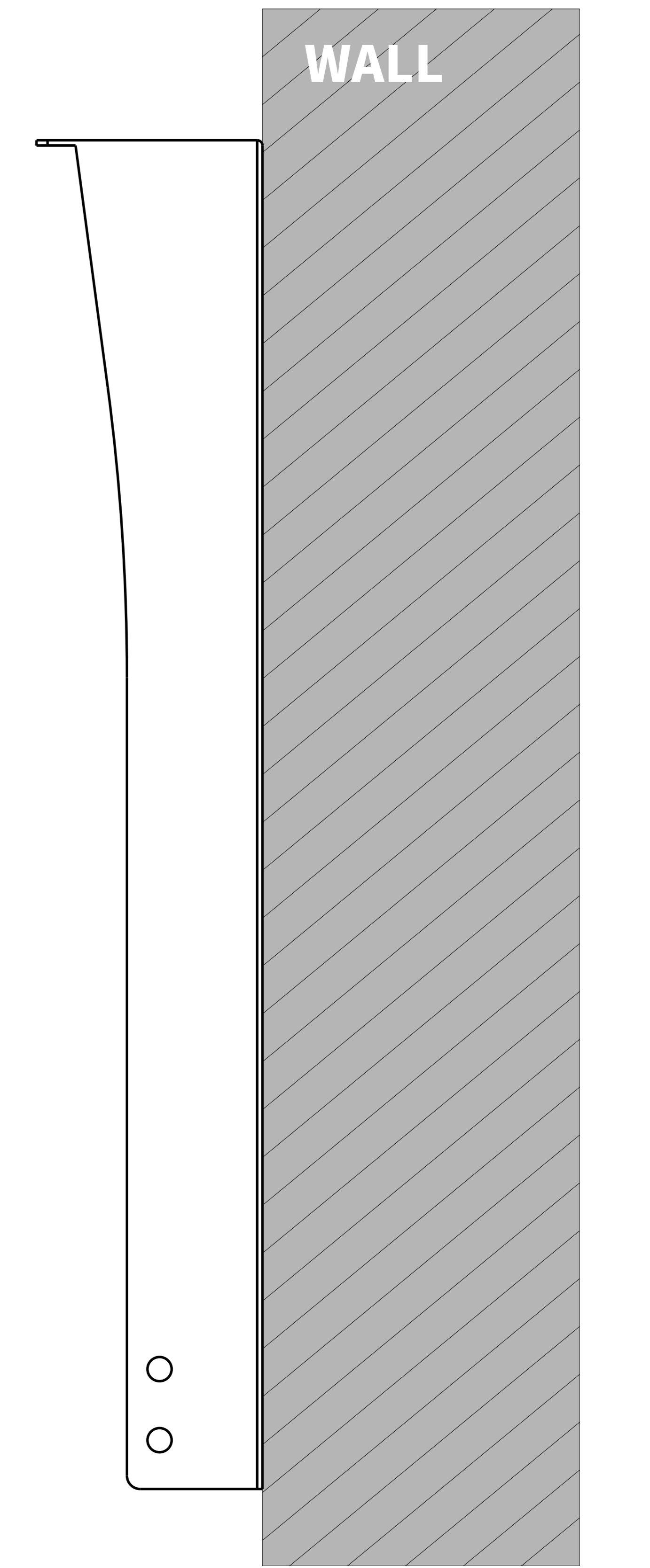
ADA Compliance Requirement

GROUND



1007.2mm TO BOTTOM OF BRACKET

GROUND



WALL

**Applicable Model**  
S538

**Drawing Title**  
In-Wall Mounting  
Rain Cover

**Drawing Unit**  
mm

**Drawing Scale**  
Not to scale

**DRAFT  
SUBJECT TO  
CHANGE**

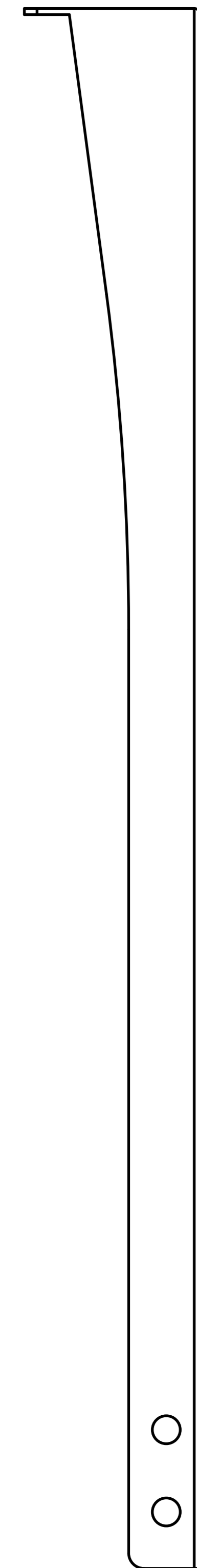
**Last Revised**  
Apr 23, 2026

**Drawing Version**  
V1.0

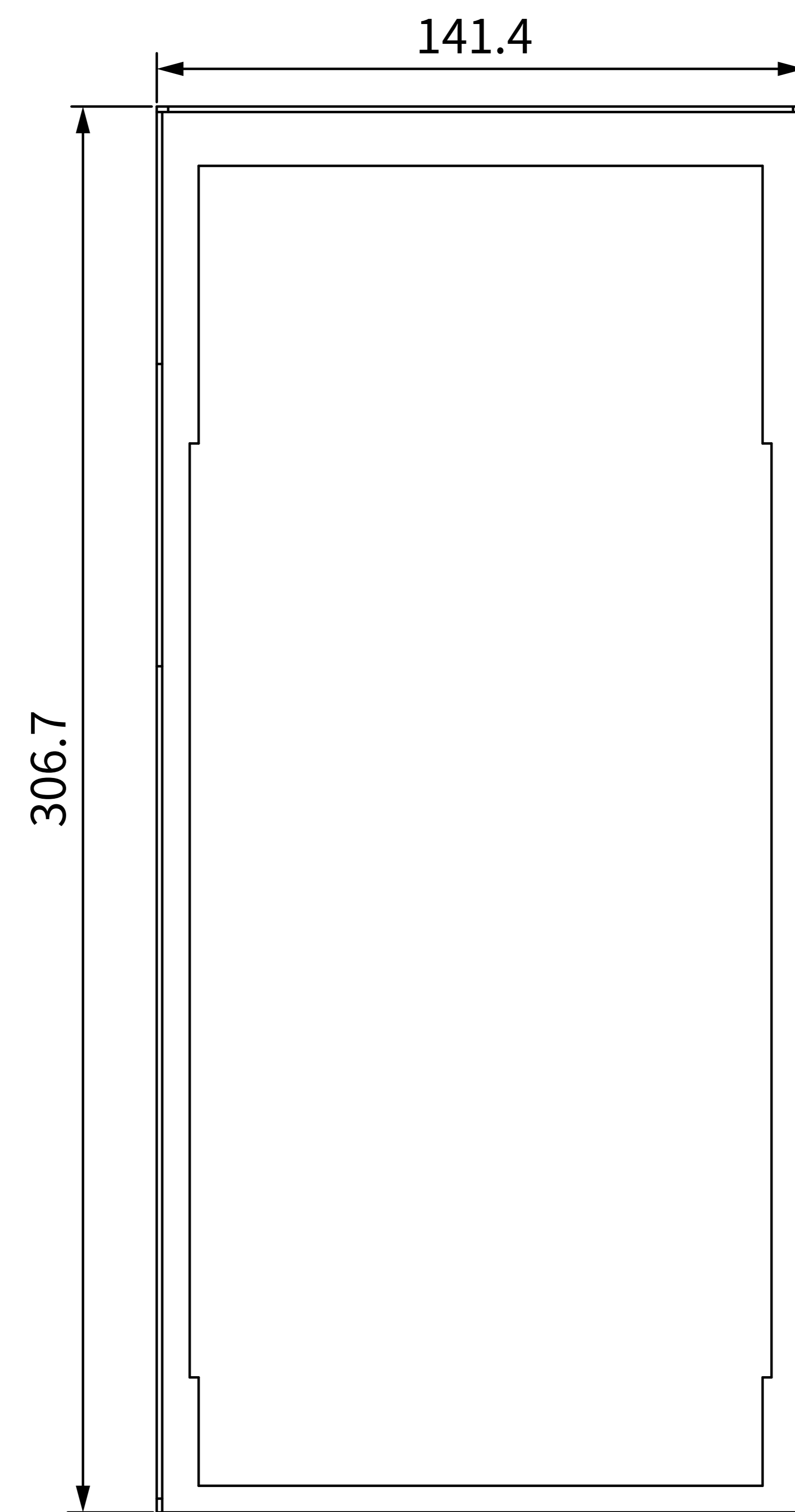
**Page**  
9 of 10



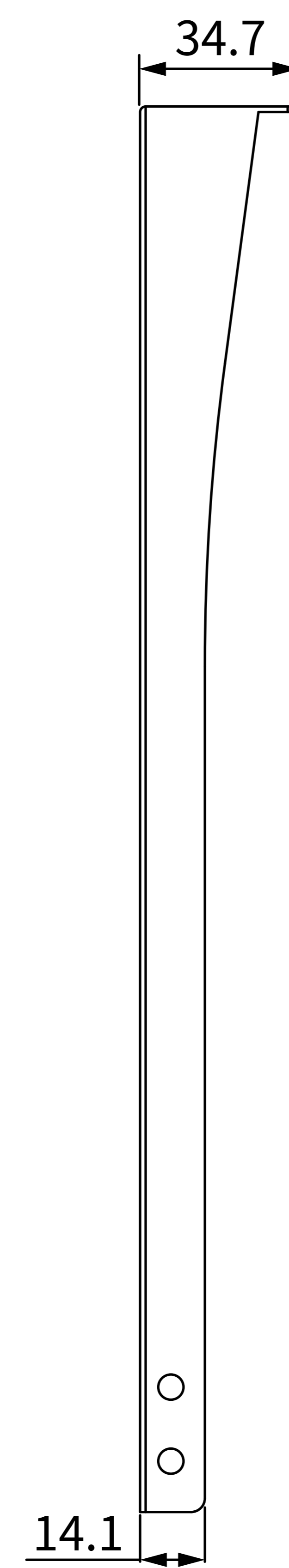
⑥ **BOTTOM VIEW**



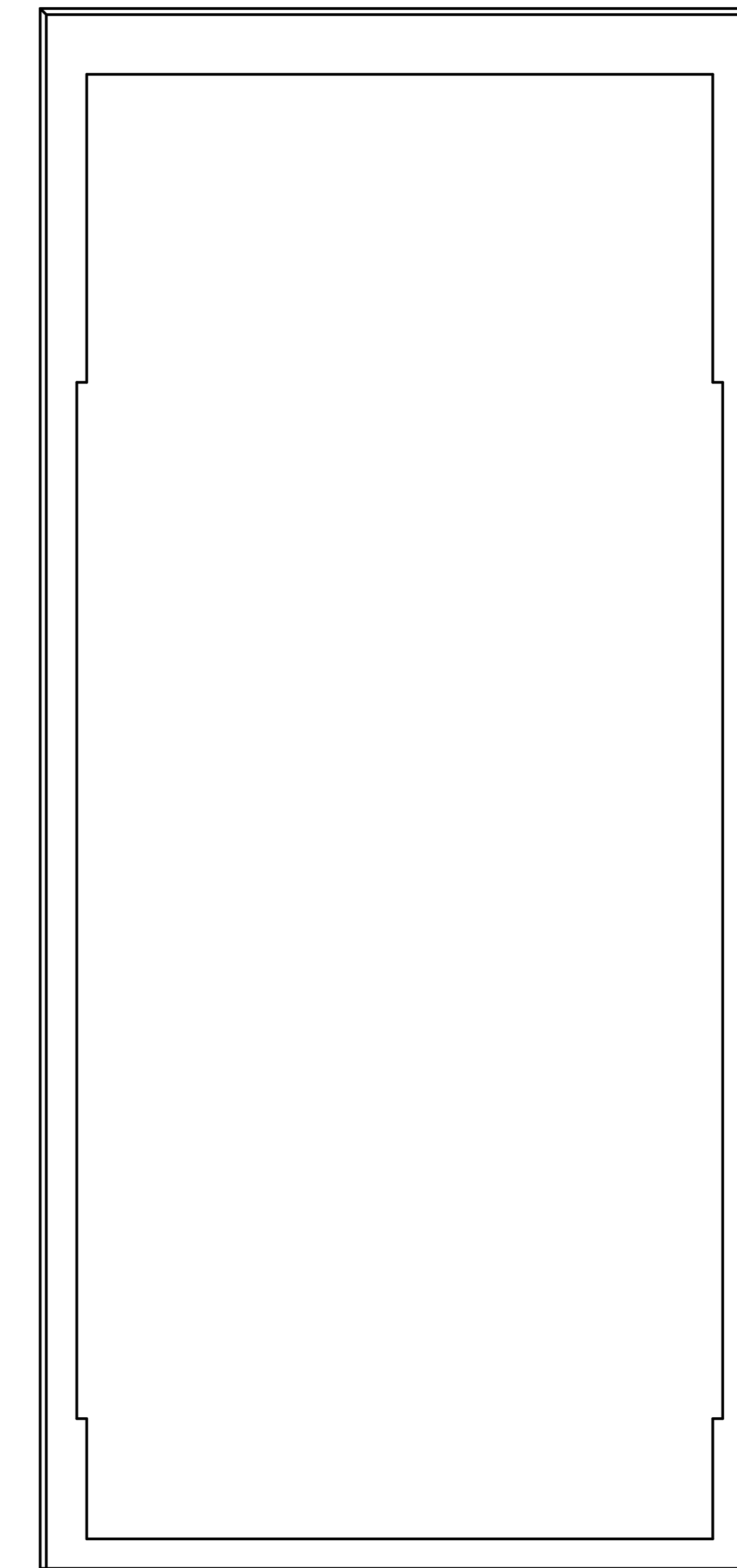
② **RIGHT VIEW**



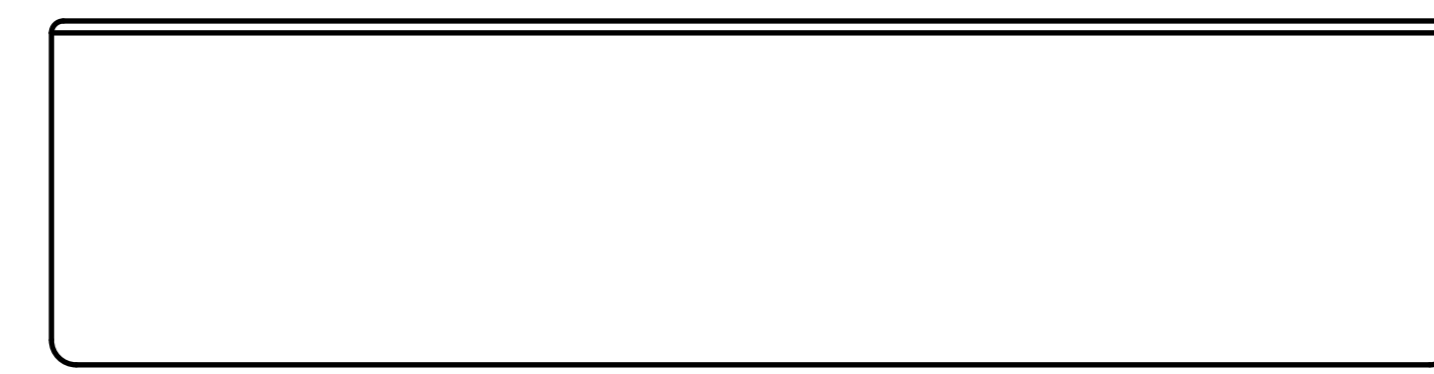
① **FRONT VIEW**



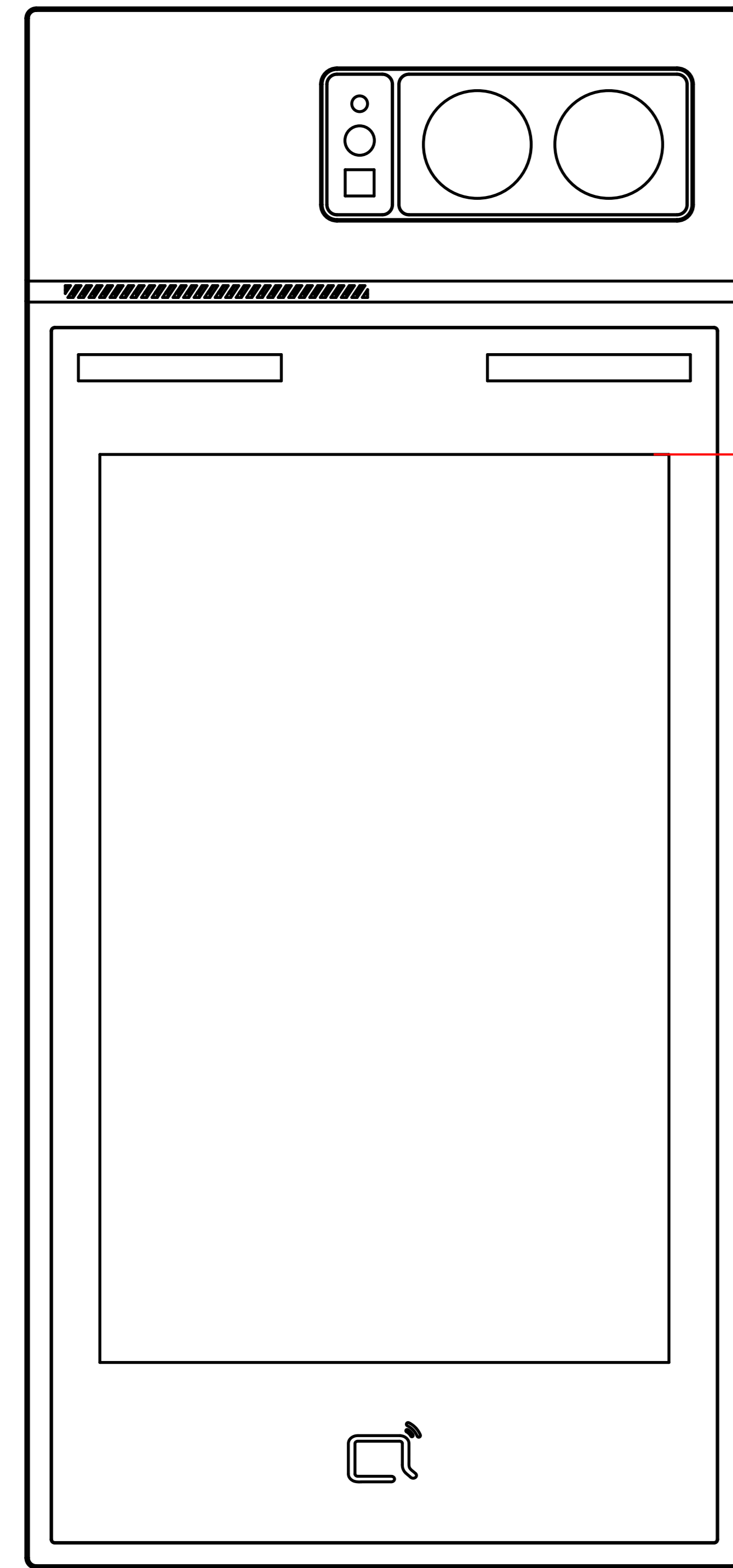
③ **LEFT VIEW**



④ **BACK VIEW**



⑤ **TOP VIEW**

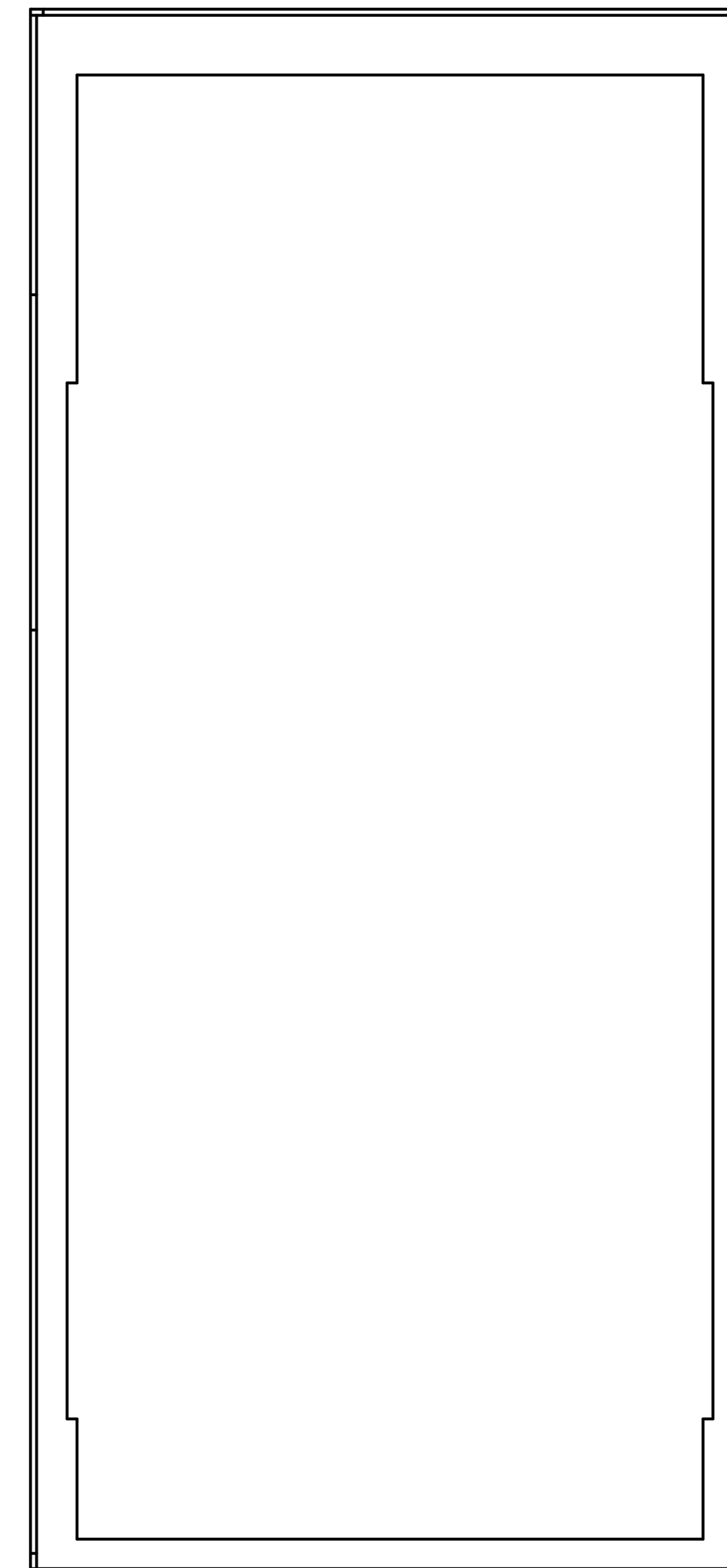


1007.2mm TO BOTTOM OF PANEL

1219.2mm TO TOP OF USABLE PARTS

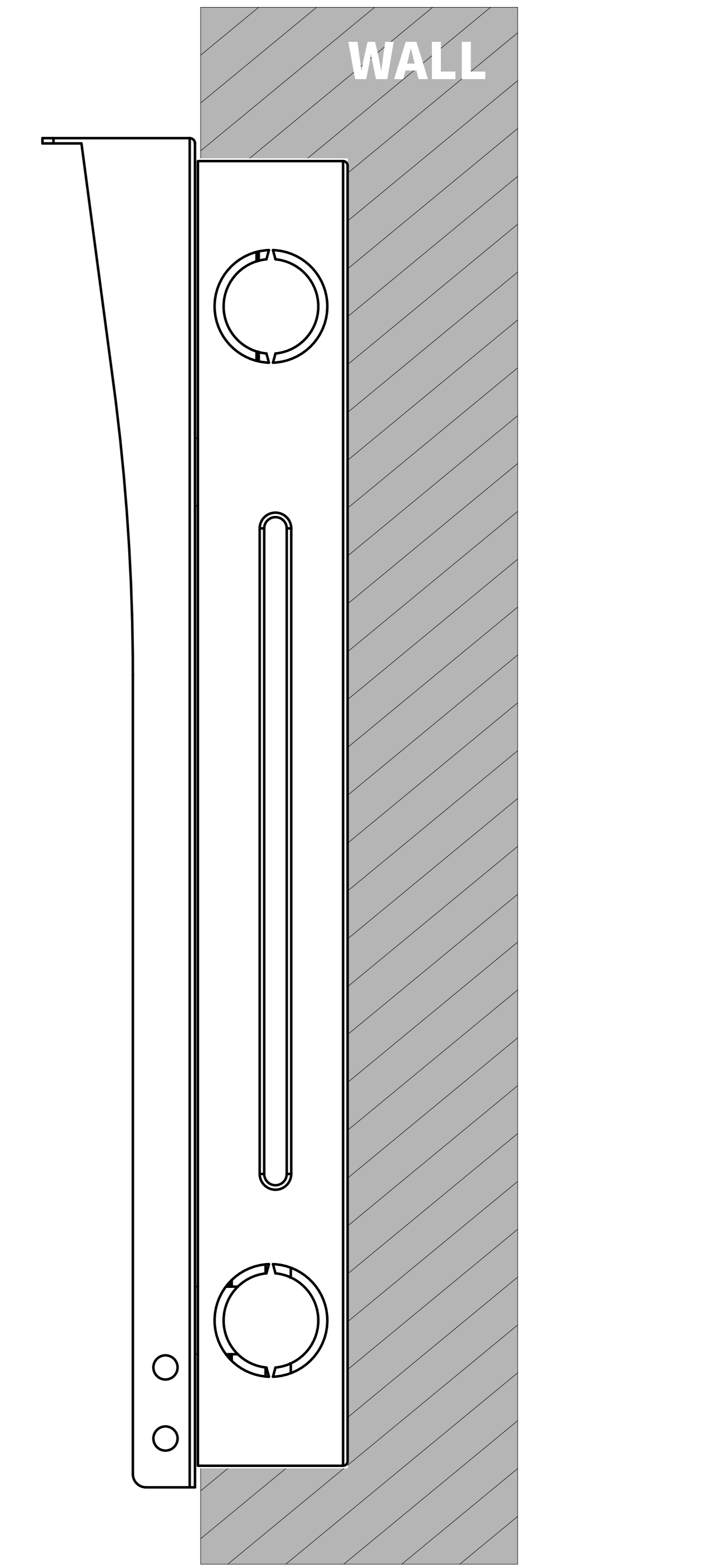
ADA Compliance Requirement

GROUND



1007.2mm TO BOTTOM OF BRACKET

GROUND



WALL