

Milesight 4K H.265 Vandal-proof Motorized Mini Bullet Network Camera



IP67 + IK10

Motorized Lens

MS-C8164-F(I)PB

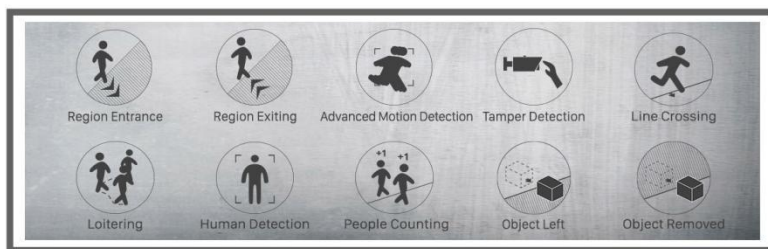
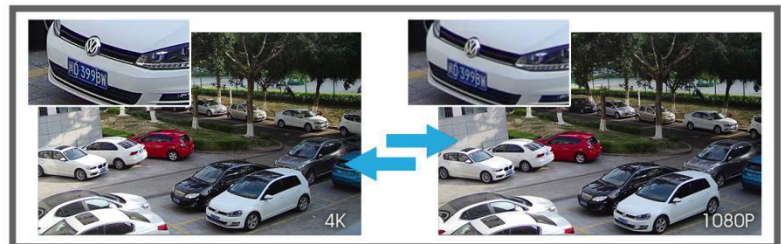
DATASHEET

KEY FEATURES

- ▶ **Smart Stream** (Bandwidth, storage and bit rate are saved with Smart Stream On, eg, H.265+ saves 70%~80% bandwidth that of H.264.)
- ▶ **Smart IR II** (Combining the High Beam and Low Beam to adjust IR intensity to fit different lighting conditions.)
- ▶ **Advanced Functions** (Boasting to support various advanced functions such as HLC, Defog, ROI.)
- ▶ **128G** (Supporting ultra-large external microSD/SDHC/SDXC card storage up to 128G.)
- ▶ **Adjustable 3-Axis Bracket** (Providing a robust mounting platform for angle adjustments on a 3-axis plane.)

4K Video Viewing Experience

Milesight 4K H.265 Network Camera delivers up to 4K resolution (3840*2160, effectively four times that of Full HD) at 15 frames per second (fps), providing users with ultra-high-definition video viewing experience.



Video Content Analysis

Milesight VCA with 10 detection modes provides advanced, accurate smart video analysis for Milesight network cameras, enabling the comprehensive surveillance function and quicker response to different monitoring scenes.

120dB Super WDR

Milesight's sensor-based WDR technology allows the camera to record greater scene details with true color reproduction even under the extreme back light and high contrast conditions. The ratio that the brightest light signal values divided by the darkest light signal values is up to 120dB.



IP67&IK10

Supporting IP67-rated weather proofing and IK10-rated vandal proof which are the leading level of the industry, the camera is well protected against adverse impact to ensure the performance.

4K H.265 Vandal-proof Motorized Mini Bullet Network Camera



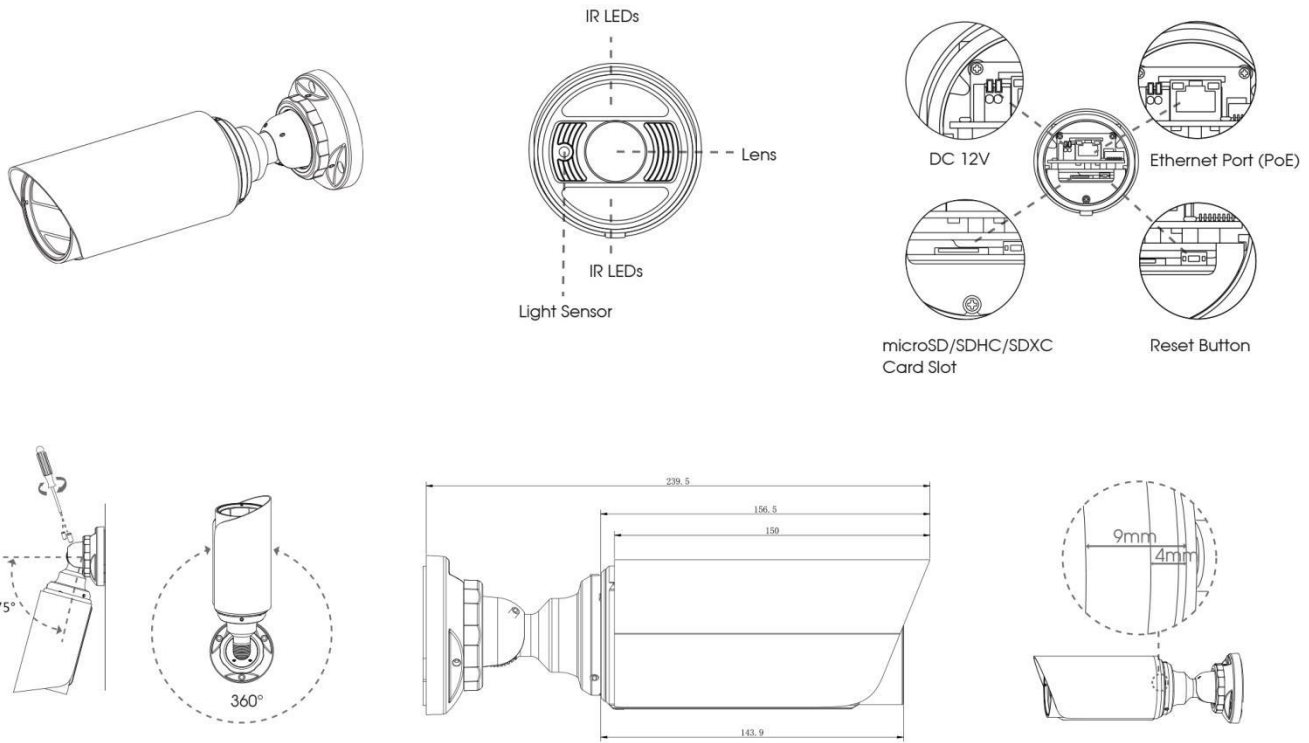
| | Model | MS-C8164-F(I)PB (4K) |
|----------------------|---------------------------|---|
| Camera | Image Sensor | 1/2.5" Progressive Scan CMOS |
| | Min. Illumination | Color: 0.01Lux@F1.2 B/W: 0Lux with IR on |
| | WDR | 120dB Super WDR |
| | Lens | Motorized 4~12mm @F1.4 P-Iris(Optional) |
| | Mount | Φ14 |
| | Field of View | H75°~H38°/D86°~D44°/V43°~V21° |
| | Shutter Time | 1/100000s~1s |
| | IR Distance | Up to 45m |
| | Day&Night | ICR Filter Auto Switch |
| Video | Max. Image Resolution | 3840x2160 |
| | Primary Stream | 15fps@(3840x2160), 30fps@(3072x2048, 2592x1944, 2592x1520, 2048x1536, 1920x1080, 1280x960, 1280x720, 704x576) |
| | Secondary Stream | 30fps@(704x576, 640x480, 640x360, 352x288, 320x240, 320x192, 320x176) |
| | Tertiary Stream | 30fps@(1920x1080, 1280x720, 704x576, 640x480, 640x360, 320x240, 320x192, 320x176) |
| | Video Compression | H.265+/H.265(HEVC)/H.264+/H.264/MJPEG |
| | Video Bit Rate | 16Kbps~16Mbps(CBR/VBR Adjustable) |
| | Image Setting | Brightness/Contrast/Saturation/Sharpness |
| Network | Ethernet | 1*RJ45 10M/100M Ethernet Port |
| | Network Storage | NAS(Support NFS, SMB/CIFS) |
| | Protocol | IPv4/IPv6, TCP, UDP, RTP, RTSP, RTCP, HTTP, HTTPS, DNS, DDNS, DHCP, FTP, NTP, SMTP, SNMP, UPnP, SIP, PPPoE, VLAN, 802.1x, QoS, IGMP, ICMP, SSL |
| | Storage | Support microSD/SDHC/SDXC Card Local Storage, up to 128G |
| | Advanced Function | Motion Detection, Privacy Masking, Backlight Compensation, HLC, 2D DNR, 3D DNR, ROI, Anti-fog, White Balance, EIS, IP Address Filtering |
| | SIP/VoIP Support | Yes, Voice & Video-over-IP |
| | Event Trigger | Motion Detection, Network Disconnection, etc. |
| | Event Action | FTP Upload/ SMTP Upload/ SD Card Record/ SIP Phone |
| | Video Analysis (Optional) | Region Entrance, Region Exiting, Advanced Motion Detection, Tamper Detection, Line Crossing, Loitering, Human Detection, People Counting, Object Left, Object Removed |
| System Compatibility | ONVIF Profile S & G | |
| General | Working Temperature | -40°C~60°C |
| | Working Humidity | 0~90%(Non-condensing) |
| | Power Supply | PoE (802.3af)/ DC 12V±10% |
| | Power Consumption | 8.5W MAX 9.5W MAX (With IR on) |
| | Weather Proof | Up to IP67-rated for Weather-resistant Performance |
| | Housing | Vandal-proof IK10-rated Metal Housing |
| | Weight | 825g |
| | Dimensions | Φ76mmX239.5mm |
| | Warranty | 3/5 Years |

V7.12

4K H.265 Vandal-proof Motorized Mini Bullet Network Camera



Structure Diagrams



Units: mm

Accessories Support

A01 Pole Mount

Weight: 720g
Dimensions: 170*51.5*152.6mm



A02 Internal Corner Bracket

Weight: 540g
Dimensions: 170*23.2*205.3mm



A03 External Corner Bracket

Weight: 900g
Dimensions: 170*152.6*76.3mm



A63 Junction Box

Weight: 620g
Dimensions: 134*127*40mm



Naming Convention



Milesight Technology Co.,Ltd. | www.milesight.com

Contact Us: sales@milesight.com support@milesight.com

Add: 220 NE 51st Street, Oakland Park, Florida 33334, USA
Tel: +1-800-561-0485

Add: 9F/901, Star Valley B/D Digital-ro 9gil 99, Geumcheon-gu, Seoul, Korea
Tel: +82-2-839-3335

Add: No.23 Wanghai Road, 2nd Software Park, Xiamen, China
Tel: +86-592-5922772

