



www.zycoo.com

X30 SIP PA Gateway

Quick Installation Guide



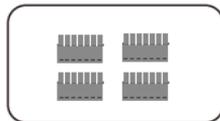
Packing List



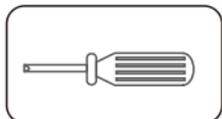
X30 SIP PA Gateway(1)



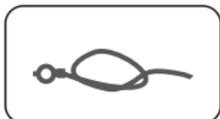
M4*10 damping screws(4)



Phoenix connector(4)



Mini screw driver(1)



Grounding wire(1)

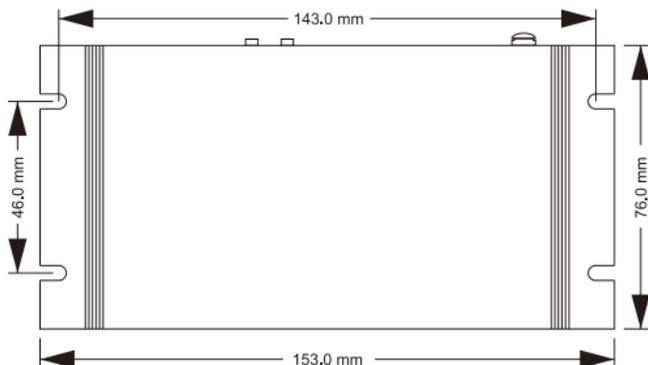


Quick Installation Guide(1)



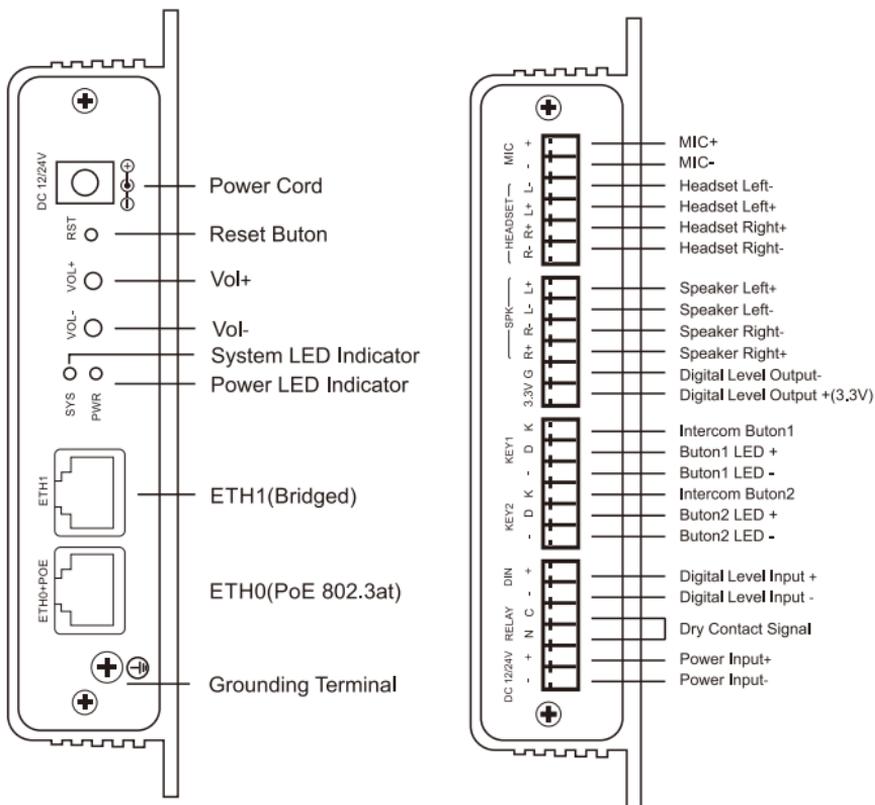
Network cable(1)

Size



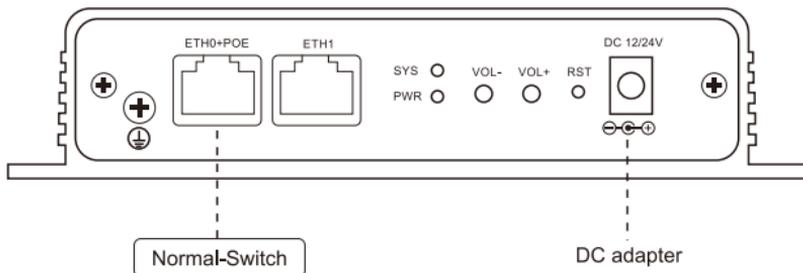
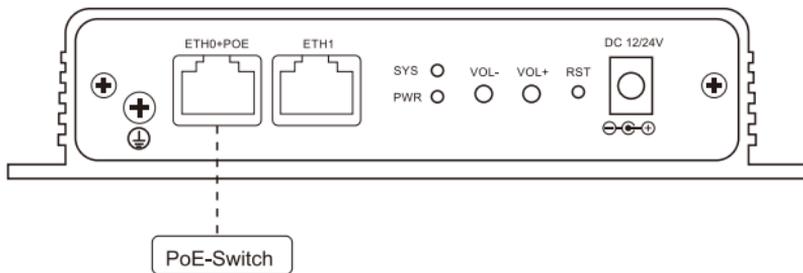
Hardware Design

Notice:DC powersupply and PoE should not be used at the same time!



Physical Connecton

Notice: DC power supply and PoE should not be used at the same time!



LED Definiions

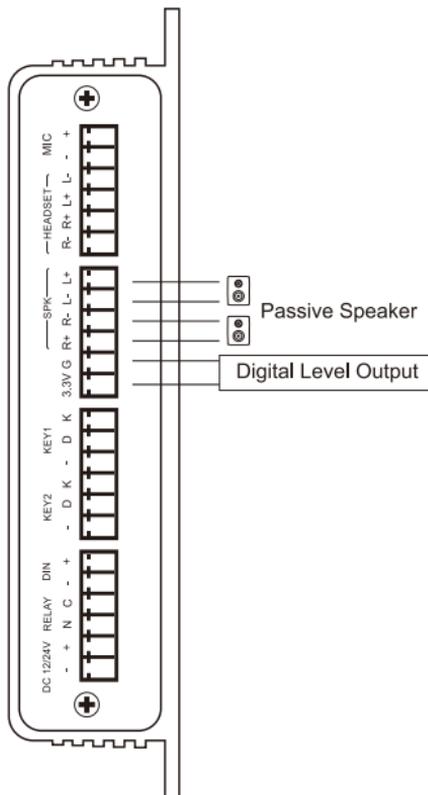
| Label | Functon | Status | Discription |
|-------|---------------|--------|--------------------------|
| PWR | Power status | on | Power on |
| | | off | Power off |
| SYS | System status | Flash | System running |
| | | off | System unstart/ abnormal |

System Setup Wizard

- 1.Connect X10 to DC adapter or PoE network cable.
- 2.After start-up, press the volume+ button and volume- button simultaneously for about 3 seconds. Then X10 will play the IP address as it's DHCP by factory default settings. If it's failed to get the IP address, please use the default IP address 192.168.1.101. You can login X10 Web GUI with that IP address via your browser. The default username and password both are admin.

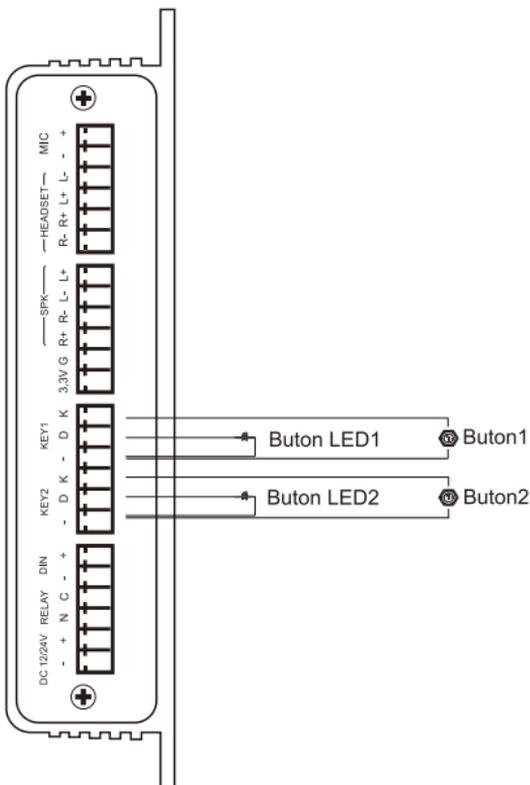
Passive Speaker and Digital Level output

Note: SPK interface can be connected to passive speaker/horn. Its output level is 2x10W. Digital level output supports high level of 3.3V and low level of 0V. The current output of 3.3V high level is 10mA. It can be used as signal level only, not as power source for extra devices.



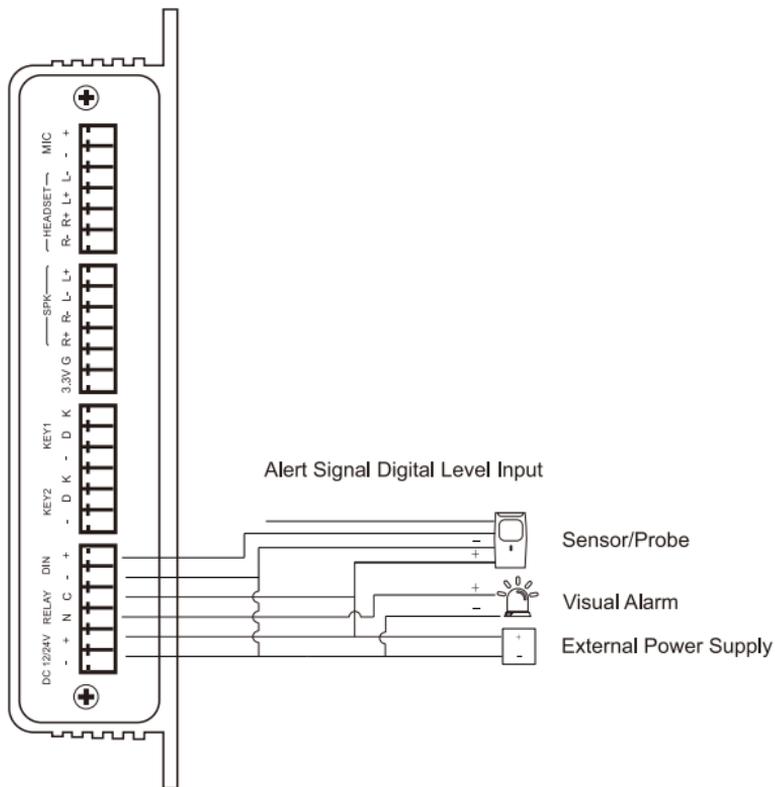
Intercom buton and LED

Note: The voltage of the intercom button is 12V. The Intercom button LED will be on only when it is pressed. Both KEY1 and KEY2 can be used as one-touch dial.



Sensors, visual alarm and external power input

Note: Alert signal digital level input is 3V to 5V. It can be powered by the 3V3 interface under SPK, or by external power supply. The NC interface for alarm provides a dry contact as an enable signal. It supports AC125V 0.3A, DC30V 1A.



Tel: +86 (28)85337096

Website: www.zycoo.com

Support: support@zycoo.com

Add: No. 1602, 16th Floor, Building No. 599, Century City South Road, High-tech
Zone, Chengdu, Sichuan Province, China