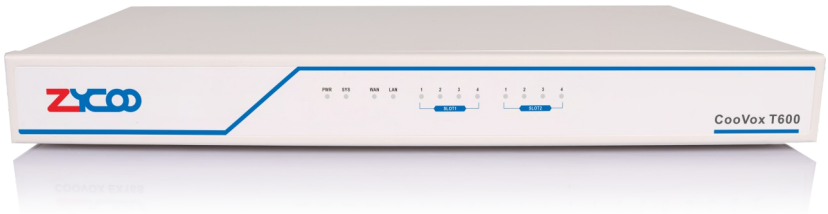


FOR SMALL BUSINESS

Quick Installation Guide

IP PHONE SYSTEM CooVox-T600



CooVox-T600

**Thank you for using the ZYCOO IP PBX,
Please read the instructions carefully before use.**



CooVox-T600 is a professional-grade IPPBX system specially designed for medium and large enterprises. It supports up to 600 extensions, 150 simultaneous calls, and 150 simultaneous conference attendees. The equipped large-capacity of 1TB hard disk can support and save up to 15,000 hours of call recordings. Therefore, CooVox-T600 is ideal for enterprises demanding high performance and stability of IP PBX systems. CooVox-T600 can provide users with more convenience in application and management.



CONTENTS

1	Package Contents
2	Hardware Installation
2.....	Safety Precautions
6.....	Product Installation
11	Physical Connection
12.....	LED Definitions
13	Basic System Configuration
13	Web Login
14.....	Further Information

Package Contents

Thank you for purchasing ZYCOO IP phone system. These are the items Included with your IP phone system purchase:



IP PBX T600(1PCS)



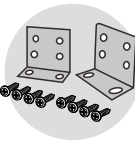
Power Adapter(1PCS)



Antenna(only for GSM)



Network cable(1PCS)



Two mounting brackets and fittings



Quick Installation Guide (1PCS)



Warranty Card (1PCS)

Hardware Installation



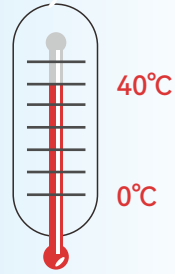
The followings are the instructions for setting up ZYCOO Coovox-T200 IP PBX. Please refer to the illustration and follow the simple steps below to quickly install your IP phone system.

▶ Safety Precautions

To avoid any device damage and bodily injury caused by improper use, please observe the following rules.

- 1 Please make sure that the power is kept off during the whole installation process.
- 2 Wear an ESD-preventive wrist strap, and make sure that the wrist strap has a good skin contact and is well grounded.
- 3 The device works only under the correct power supply. Please confirm that the power supply is consistent with the voltage marked by the device, and it is suggested to use the included power supply.
- 4 Before the device is powered on, please confirm that the power circuit will not be overloaded so as not to cause unnecessary damage.
- 5 To avoid the risk of electric shock, do not open the casing when the device is working!
- 6 Before cleaning the device, cut off the power supply. Do not clean it with a waterish material; never use any other liquid cleaning method.

Site Requirements



To ensure normal operation and long service life of the device, please install it in an environment that meets the requirements described in the following subsection. Please keep a proper temperature and humidity in the equipment room. Too high/low humidity may lead to bad insulation, electricity leakage, mechanical property changes and corrosions. Too high temperature may accelerate aging of the insulation materials and can thus significantly shorten the service life of the device. For normal temperature and humidity of the device, please check the following table.

Environment	Temperature	Humidity
Operating	0°C~40°C	10%~90% RH Non-condensing
Storage	-40°C~70°C	5%~90% RH Non-condensing

Clearness



The dust accumulated on IP PBX can be absorbed by static electricity and result in poor contact of metal contact points. Some measures have been taken for the device to prevent static electricity, but too strong static electricity can cause deadly damage to the electronic elements on the internal circuit board. To avoid the effect of static electricity on the operation of IP PBX, please attach much importance to the following items:

- 1 Please set a 5-10cm gap around the device and keep the room well ventilated.
- 2 Please avoid placing any heavy object on the device.

Electromagnetic Interference



Electronic elements including capacitance and inductance on the device can be affected by external interferences, such as conducted emission by capacitance coupling, inductance coupling, and impedance coupling. To decrease the interferences, please make sure to take the following measures:

- 1 Use the power supply that can effectively filter interference from the power grid.
- 2 Keep the devices far from high-frequency, strong-current devices, such as radio transmitting station.
- 3 Use electromagnetic shielding when necessary.

Lightening Protection



Extremely high voltage currents can be produced instantly when lightning occurs and the air in the electric discharge path can be instantly heated up to 20,000°C. As this instant current is strong enough to damage electronic devices, more effective lightning protection measures should be taken:

- 1 Ensure the rack and devices are well earthed.
- 2 Make sure the power socket has a good contact with the ground.
- 3 Keep a reasonable cabling system and avoid induced lightning.
- 4 Use the signal SPD (Surge Protective Device) when wiring outdoor.

Note:

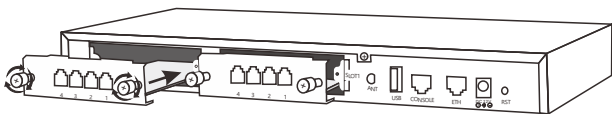
the device is specially designed for the usage of communication operators' computer room; please obey the following requirements for installation and maintenance.

► Product Installation

■ Installation Tools

- ◆ Phillips screwdriver
- ◆ ESD-preventive wrist wrap
- ◆ Cables

■ Module Installation



This IP PBX can support installing two extension modules at the same time. Optional modules are as follows.

- | | | |
|-----------------|----------------|-----------------|
| ◆ 4FXS Module | ◆ 2FXOS Module | ◆ 4FXO Module |
| ◆ 4GSM Module | ◆ 2GSM Module | ◆ 2WCDMA Module |
| ◆ 4WCDMA Module | ◆ 1PRI Module | |

- 1 Check if the module is clean and intact.
- 2 Please ensure power of IP PBX is cut off.
- 3 Please ensure the direction of the module is correct (ZYCOO-logo side up).
- 4 Push the module into the module slot through the guide rail.
- 5 Tighten the locking screws on the both ends of the module.

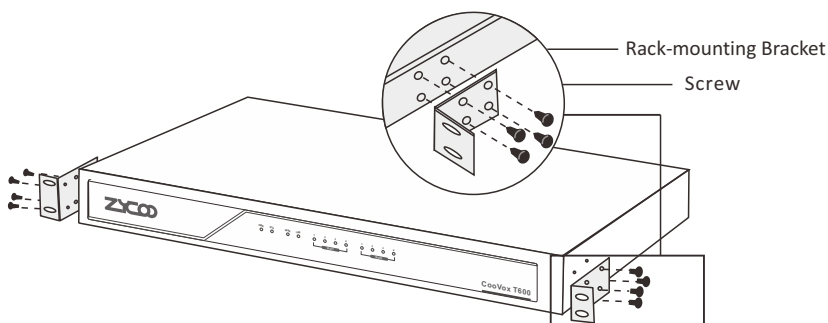
Caution:

1. Do not touch any device on the module, just to prevent the module from being damaged by static electricity.
2. This operation must be done with power cut off. The module does not support hot-plugging.

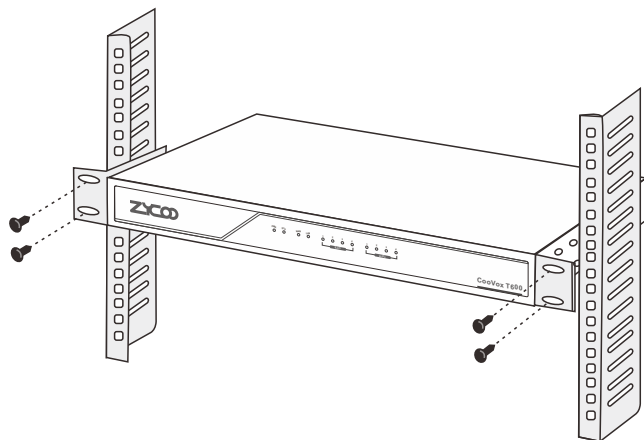
Rack Installation

To install the device in an EIA standard-sized, 19-inch rack, follow the instructions described below:

- 1 Check the grounding and stability of the rack.
- 2 Secure the supplied rack-mounting brackets to each side of the device with supplied screws as illustrated in the following figure.



- 3 Install IP PBX to the right place in the rack, and then attach the brackets to the device.



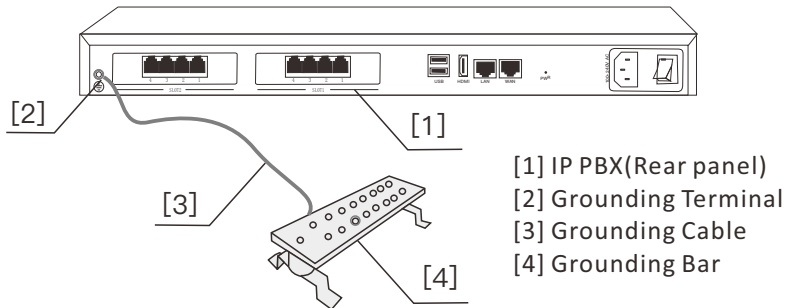
- 3 After the brackets are attached to the device, use suitable screws (not provided) to secure the brackets to the rack, as illustrated in the following figure.

Notes:

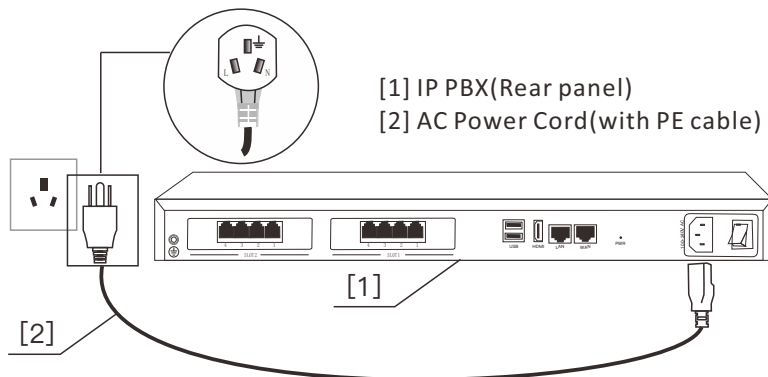
1. Please ensure the correct installation for the grounding of the rack, which is the most important guarantee of avoiding ESD, electricity leakage, lightning, and electromagnetic interference;
2. Please mount devices in sequence from the bottom to top of the rack to avoid overloading;
3. Please avoid any heavy thing placed on the device to avoid any unexpected accidents;
4. Please ensure heat dissipation and air circulation.

Connect to Ground

- 1 Connecting the device to ground is to quickly release the lightning over-voltage and over-current of the device, which is also a necessary measure to protect the body from electric shock.
- 2 In different environments, the device may be grounded differently. Two measures are given in the following, of which the Grounding bar is better for the protection of lightning. Users can try to choose the most appropriate measure according to different situation.
- 3 If CooVox-U100 IP PBX is installed in the computer room, and the room has dedicated Grounding bar, then the using of ground wire to connect the device with the Grounding bar is put to the first consideration as shown in the following figure.



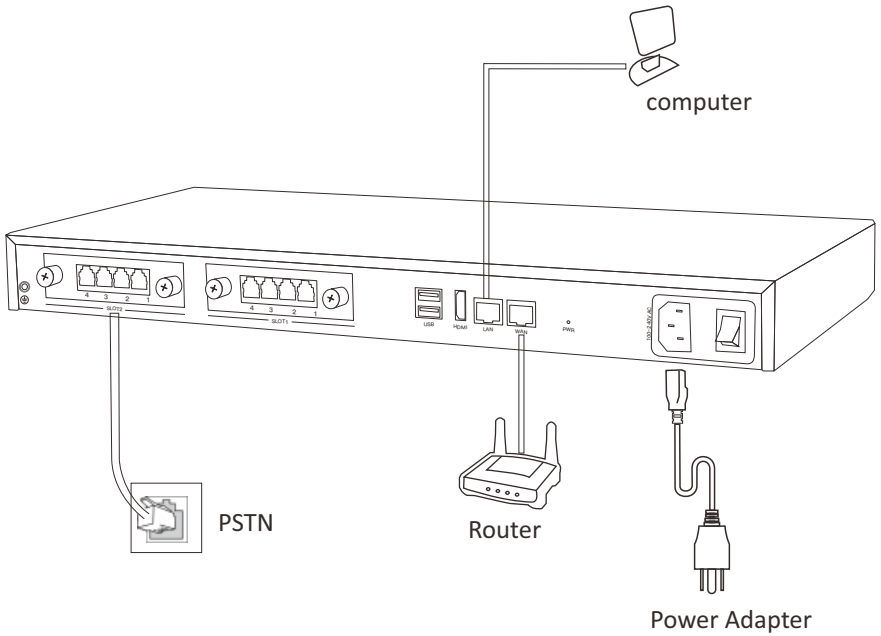
- 4 If the device is installed in the normal environment, the device can be grounded via the PE (Protecting Earth) cable of the AC power supply as shown in the following figure.



Notes:

If you intend to connect the device to the ground via the PE (Protecting Earth) cable of AC power cord, please make sure the PE (Protecting Earth) cable in the electrical outlet is well grounded in advance.

► Physical Connection



► LED Definitions

Indication	Function	Status	Explanation		
PWR	Power Status	On	Power On		
		Off	Power Off		
SYS	System Status	Blink	System Works		
		Off	System Fails		
ETH	Data Status	Blink	Data Transport		
		Off	No Data Transport		
1-4 (SLOT1/2)	SLOT1/2 Status	FXS	Green	Module Loading Success	
			Blink	Channel Ringing	
			Off	Module Loading Failure	
		FXO	Red	Module Loading Success	
			Blink	Channel Ringing	
			Off	Module Loading Failure	
		GSM	Red	Module Loading Success	
			Blink	Channel Ringing	
			Off	Module Loading Failure	
		E1 / T1 (PRI / R2)	L1	Red	Module Loading Success
				Off	Module Loading Failure
			L2	Red	CPE signal
				Green	NET signal
				Off	No signal
			L3	Red	SS7 signal
				Green	MFCR2 signal
Off	No signal				
L4	Red	Disconnected/ Alarm			
	Green	Connected/ No Alarm			

Basic System Configuration

► Web Login

- 1 Connect the CooVox-T600 with a PC directly via the WAN or LAN port. Make sure the PC and the IP-PBX are in the same network segment, that is, 192.168.1.xx if you are connected to WAN or 192.168.10.xx if you have connected to LAN.
- 2 Open a web browser, preferably Firefox, Google Chrome, or IE 11 or higher.
- 3 Enter the device's default IP address into the browser address bar to access the Web interface. WAN port: <https://192.168.1.100>; LAN port: <https://192.168.10.100>.
- 4 You may notice a browser security warning. Please ignore the notice and process to access the CooVox-T600 Web interface.
- 5 Use the default login credential to access the CooVox-T600. After logging in, please change the administrator password in time to ensure system security. Default username & password: admin



Further Configuration

Thank you for the purchase of ZYCOO products. The above steps introduce basic configurations for Coovox-T600. For further configurations, please refer to the user manual. If you have other questions, please contact the ZYCOO local dealers or distributors from where you purchased this product.

ZYCOO Co., Ltd.

Tel: +86 (28)85337096

Website: www.zycoo.com

Support: support@zycoo.com

Addr: No. 1602, 16th Floor, Building No. 599, Century City
South Road, High-tech Zone, Chengdu, Sichuan
Province, China

Leading IP Phone System Provider

ZYCOO Co., Ltd.

Address: No. 1602, 16th Floor, Building No. 599, Century City South Road,
High-tech Zone, Chengdu, Sichuan Province, China

Telephone: +86 (28)85337096 ext 813 / 815

Website: www.zycoo.com